

## TNC TNC

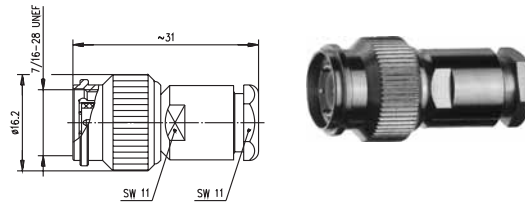
### Contents

2.1	TNC Straight Plug	72
2.2	TNC Straight Plug Crimp	74
2.3	TNC Angle Plug	76
2.4	TNC Angle Plug Crimp	77
2.5	TNC Straight Jack	78
2.6	TNC Straight Jack Crimp	79
2.7	TNC Bulkhead Jack	79
2.8	TNC Bulkhead Jack Crimp	80
2.9	TNC Bulkhead Socket	82
2.10	TNC Panel Jack	83
2.11	TNC Panel Socket	83
2.12	TNC Receptacle, female, for Printed Circuits	84
2.13	TNC Angle Receptacle, female, for Printed Circuits	84
2.14	TNC Adaptor	84
2.15	TNC Adaptor for Panel Mounting	85
2.16	TNC Angle Adaptor	86
2.17	TNC T Adaptor	86
2.18	TNC Dust Cap	87
2.19	TNC Termination	87

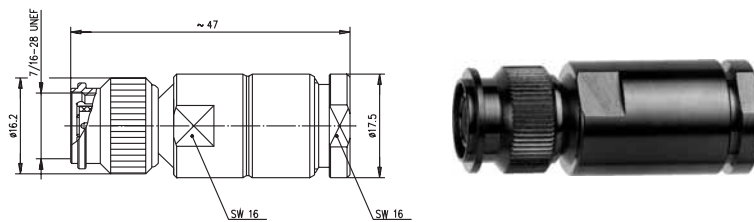
### Übersicht

2.1	TNC-Kabelstecker	72
2.2	TNC-Kabelstecker Crimp	74
2.3	TNC-Kabelwinkelstecker	76
2.4	TNC-Kabelwinkelstecker Crimp	77
2.5	TNC-Kabelbuchse	78
2.6	TNC-Kabelbuchse Crimp	79
2.7	TNC-Kabeleinbaubuchse	79
2.8	TNC-Kabeleinbaubuchse Crimp	80
2.9	TNC-Einbaubuchse	82
2.10	TNC-Kabeleinbaubuchse mit Flansch	83
2.11	TNC-Einbaubuchse mit Flansch	83
2.12	TNC-Buchse für gedruckte Schaltungen	84
2.13	TNC-Winkelbuchse für gedruckte Schaltungen	84
2.14	TNC-Kupplung	84
2.15	TNC-Verbindungsstück	85
2.16	TNC-Winkelverbindungsstück	86
2.17	TNC-T- Stück	86
2.18	TNC-Abdeckkappe	87
2.19	TNC-Abschlusswiderstand	87

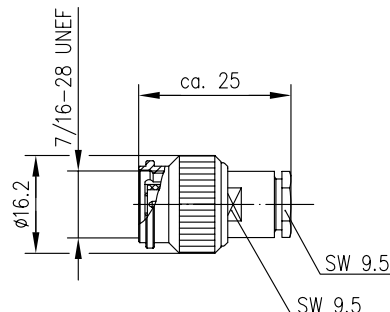


TNC Straight Plug  
TNC-Kabelstecker

Order no. Bestell-Nr.	Z	Cable group; cable Kabelgruppe; Kabel	Remarks Anmerkungen	Assembly Montage
J01010A2610	50	G3 (RG-178B/U)	pressure sleeve IP 67 Druckverschraubung IP 67	A03
J01010A2611	50	G7 (RG-316/U)	pressure sleeve IP 67 Druckverschraubung IP 67	A03
J01010A2608	50	G1 (RG-58C/U); G5 (RG-223/U); RG-141A/U; RG-142B/U; 1.0/2.95 AF	MIL-clamp IP 67 MIL-Verschraubung IP 67	A02
J01012A2258	75	G4 (RG-179B/U)	pressure sleeve IP 67 Druckverschraubung IP 67	A03
J01012A2215	75	G2 (RG-59B/U)	MIL-clamp IP 67 MIL-Verschraubung IP 67	A02



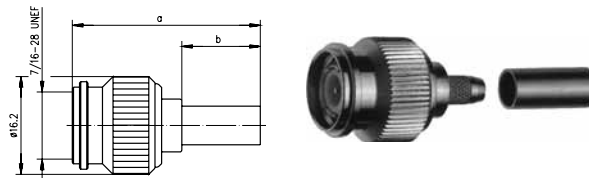
Order no. Bestell-Nr.	Z	Cable group; cable Kabelgruppe; Kabel	Remarks Anmerkungen	Assembly Montage
J01010A2940	50	RG-213/U; RG-214/U; 9880 Belden	pressure sleeve IP 67 Druckverschraubung IP 67	A05
J01012A0001	75	G31 (RG-11A/U); G32 (RG-216/U); 7731A Belden; 9292 Belden; 1.6/7.3 AF	pressure sleeve IP 67 Druckverschraubung IP 67	A05



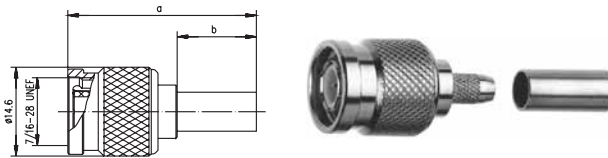
Order no. Bestell-Nr.	Z	Cable group; cable Kabelgruppe; Kabel	Remarks Anmerkungen	Assembly Montage
J01010A0022	50	G1 (RG-58C/U); LMR-195; RG-141A/U; RG-142B/U; 1.0/2.95 AF	pressure sleeve IP 67 Druckverschraubung IP 67	A01

TNC Straight Plug Crimp  
TNC-Kabelstecker Crimp

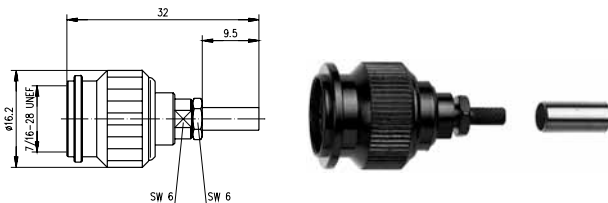
	Basic	Standard	Professional	MIL
<b>Mechanical Characteristics</b> <b>Mechanische Eigenschaften</b>				
<b>Mating cycles (gold plating inner conductor)</b> <b>Steckzyklen (Goldalage Innenleiter)</b>	100 (0.2 µm)	100 (0.8 µm)	1000 (0.8 µm)	2000 (1.27 µm)
<b>Climatic Characteristics</b> <b>Klimatische Eigenschaften</b>				
<b>Temperature range</b> <b>Temperaturbereich</b>	-40/75		-65/165	
<b>Materials</b> <b>Werkstoffe</b>				
<b>Coupling nut Überwurfmutter</b> <b>Outer conductor Außenleiter</b>	zinc die cast Zinkdruckguss brass Messing			brass Messing brass Messing
<b>Inner conductor Innenleiter</b> <b>Crimp ferrule Crimprohr</b>	copper beryllium Kupferberyllium copper Kupfer			brass Messing copper Kupfer
<b>Insulator Isolierung</b>	PE-LD		PTFE	
<b>Finish</b> <b>Oberfläche</b>				
<b>Coupling nut Überwurfmutter</b> <b>Outer conductor Außenleiter</b> <b>Inner conductor Innenleiter</b> <b>Crimp ferrule Crimprohr</b>	Nickel Nickel Gold Nickel			
<b>Electrical Characteristics</b> <b>Elektrische Eigenschaften</b>				
<b>Contact resistance Durchgangswiderstand</b> <b>Inner conductor Innenleiter</b> <b>Outer conductor Außenleiter</b>	initial im Neuzustand ≤ 0.9 mΩ ≤ 0.2 mΩ			
<b>Insulation resistance Isolationswiderstand</b> <b>Voltage proof Spannungsfestigkeit</b> <b>Impedance Wellenwiderstand</b> <b>Working voltage Betriebsspannung</b> <b>Frequency range Frequenzbereich</b> <b>VSWR</b>	5 GΩ 1.5 kV 50 Ω /75 Ω 500 V <sub>eff</sub> /50 Hz 4 GHz ≤ 1.25/1 GHz (50 Ω)			



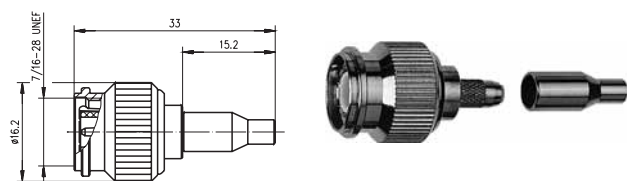
Order no. Bestell-Nr.	Z Z	Cable group; cable Kabelgruppe; Kabel	Remarks Anmerkungen	Dimensions Abmessungen	Assembly Montage	Crimp die Crimpeinsatz
J01010A0039	50	G7 (RG-316/U)	crimp/crimp; Professional	a=30.3, b=11	A2616	N01001A0009
J01010A0045	50	G8 (RD-316)	crimp/crimp; Professional	a=30.3, b=11	A2620	N01001A0014
J01010A2255	50	G1 (RG-58C/U); YR 23092 Belden; LMR-195	crimp/crimp; Professional	a=31.2, b=13	A0205	N01001A0005
J01010A0000	50	RG-142B/U; 1.0/2.95 AF	crimp/crimp; Professional	a=31.5, b=13.5	A0205	N01001A0005
J01010A2256	50	G5 (RG-223/U)	crimp/crimp; Professional	a=31.5, b=13.5	A0205	N01001A0005
J01010A0035	50	G30 (1.5/3.8); LMR-240	crimp/crimp; Professional	a=31.2, b=13	A0206	N01001A0007
J01012A2288	75	G2 (RG-59B/U)	crimp/crimp; Professional	a=31, b=13	A0206	N01001A0007
J01012A0014	75	G27 (9248)	crimp/crimp; Professional	a=31, b=13	A0207	N01001A0004



Order no. Bestell-Nr.	Z Z	Cable group; cable Kabelgruppe; Kabel	Remarks Anmerkungen	Dimensions Abmessungen	Assembly Montage	Crimp die Crimpeinsatz
J01010F2255	50	G1 (RG-58C/U); YR 23092 Belden	crimp/crimp; Standard	a=31, b=13	A0205	N01001A0005
J01010L2255	50	G1 (RG-58C/U); YR 23092 Belden	crimp/crimp; Basic	a=28, b=13	A2805	N01001A0005
J01010A0046	50	G5 (RG-223/U)	crimp/crimp; Standard	a=31.5, b=13.5	A0205	N01001A0005

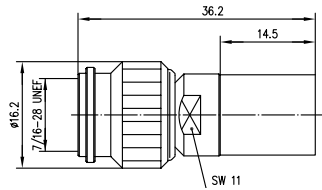


Order no. Bestell-Nr.	Z Z	Cable group; cable Kabelgruppe; Kabel	Remarks Anmerkungen	Assembly Montage	Crimp die Crimpeinsatz
J01010B0027	50	G3 (RG-178B/U)	crimp/crimp; Professional	A2913	N01001A0010
J01010B0007	50	G7 (RG-316/U)	crimp/crimp; Professional	A2903	N01001A0009
J01010A0043	50	G8 (RD-316)	crimp/crimp; Professional	A2914	N01001A0014
J01012A5032	75	G4 (RG-179B/U)	crimp/crimp; Professional	A2903	N01001A0009

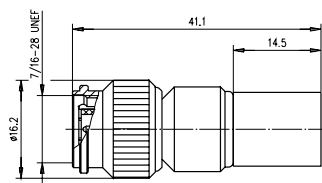


Order no. Bestell-Nr.	Z Z	Cable group; cable Kabelgruppe; Kabel	Remarks Anmerkungen	Assembly Montage	Crimp die Crimpeinsatz
J01010A0038	50	G7 (RG-316/U)	crimp/crimp; low cost type; f < 500 MHz; Standard	A2505	N01001A0005

## TNC Straight Plug Crimp TNC-Kabelstecker Crimp

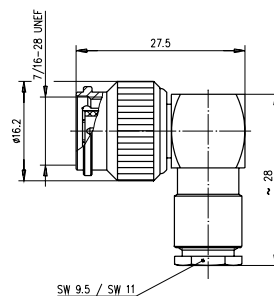


Order no. Bestell-Nr.	Z Z	Cable group; cable Kabelgruppe; Kabel	Remarks Anmerkungen	Assembly Montage	Crimp die Crimpeinsatz
J01010A0051	50	RG-213/U	crimp/crimp; Professional	A3312	N01001D1274
J01010A0052	50	RG-214/U	crimp/crimp; Professional	A3312	N01001D1274

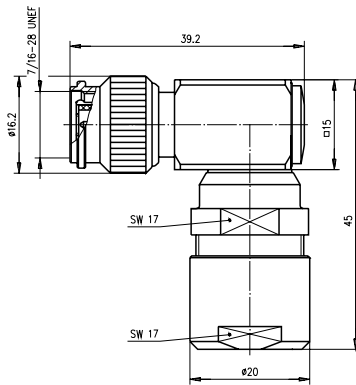


Order no. Bestell-Nr.	Z Z	Cable group; cable Kabelgruppe; Kabel	Remarks Anmerkungen	Assembly Montage	Crimp die Crimpeinsatz
J01010A0049	50	G37 (2.7/7.25)	crimp/crimp; Professional	A3112	N01001D1274
J01010A0053	50	G42 (2.7/7.1); AA-5886	crimp/crimp; outer conductor Tealloy crimp/crimp; Außenleiter Tealloy	A3326	N01001A0030

## TNC Angle Plug TNC-Kabelwinkelstecker



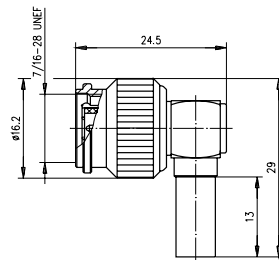
Order no. Bestell-Nr.	Z Z	Cable group; cable Kabelgruppe; Kabel	Remarks Anmerkungen	Assembly Montage
J01010A0011	50	G7 (RG-316/U)	pressure sleeve Druckverschraubung	A07
J01010A0009	50	G1 (RG-58C/U); 1.0/2.95 AF; RG-141; RG-142	pressure sleeve Druckverschraubung	A06
J01010A0010	50	G1 (RG-58C/U); G5 (RG-223/U); RG-141A/U; RG-142B/U; 1.0/2.95 AF	MIL-clamp MIL-Verschraubung	A06
J01012A0002	75	G2 (RG-59B/U)	pressure sleeve Druckverschraubung	A06



Order no. Bestell-Nr.	Z Z	Cable group; cable Kabelgruppe; Kabel	Remarks Anmerkungen	Assembly Montage
J01010A0023	50	G42 (2.7/7.1); RG-213/U; AA-5886	pressure sleeve <a href="#">Druckverschraubung</a>	D04
J01010A0024	50	RG-214/U; RG-216/U; RG-393/U	pressure sleeve <a href="#">Druckverschraubung</a>	D04

TNC Angle Plug Crimp  
TNC-Kabelwinkelstecker Crimp

2.4

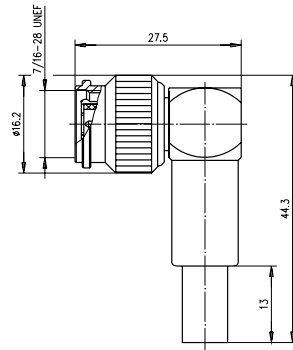


Order no. Bestell-Nr.	Z Z	Cable group; cable Kabelgruppe; Kabel	Remarks Anmerkungen	Dimensions Abmessungen	Assembly Montage	Crimp die Crimpeinsatz
J01010B0012	50	G7 (RG-316/U)	solder/crimp <a href="#">löt/crimp</a>	a=9.5, b=25.5	A0503	N01001A0009
J01010A0048	50	G8 (RD-316)	solder/crimp <a href="#">löt/crimp</a>	a=9.5, b=25.5	A0520	N01001A0014
J01010A0005	50	G1 (RG-58C/U), RG-141	solder/crimp <a href="#">löt/crimp</a>	a=13, b=29	A0505	N01001A0005
J01010A0006	50	G5 (RG-223/U); RG-142B/U; 1.0/2.95 AF	solder/crimp <a href="#">löt/crimp</a>	a=13.5, b=29.5	A0505	N01001A0005
J01010A0037	50	G30 (1.5/3.8);	solder/crimp <a href="#">löt/crimp</a>	a=13, b=29	A0506	N01001A0007
J01012A0004	75	G2 (RG-59B/U)	solder/crimp <a href="#">löt/crimp</a>	a=13, b=29	A0506	N01001A0007

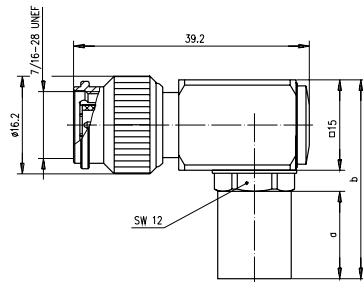
2.4

## TNC Angle Plug Crimp

### TNC-Kabelwinkelstecker Crimp



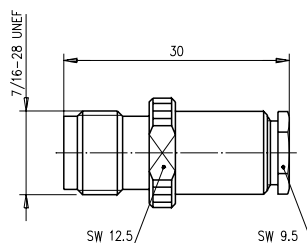
Order no. Bestell-Nr.	Z	Cable group; cable Kabelgruppe; Kabel	Remarks Anmerkungen	Assembly Montage	Crimp die Crimpeinsatz
J01010A0019	50	G1 (RG-58C/U)	crimp/crimp	A0605	N01001A0005
J01010A0047	50	G5 (RG-223/U)	crimp/crimp	A0605	N01001A0005
J01012A2266	75	G2 (RG-59B/U)	crimp/crimp	A0606	N01001A0007



Order no. Bestell-Nr.	Z	Cable group; cable Kabelgruppe; Kabel	Remarks Anmerkungen	Dimensions Abmessungen	Assembly Montage	Crimp die Crimpeinsatz
J01010A0025	50	G42 (2.7/7.1); RG-213/U; AA-5886	solder/crimp löt/crimp	a=14.5, b=33	D0512	N01001D1274
J01010A0026	50	RG-214/U; RG-393/U	solder/crimp löt/crimp	a=13, b=31.5	D0512	N01001D1274

## TNC Straight Jack

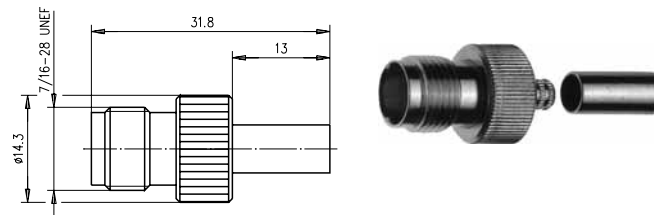
### TNC-Kabelbuchse



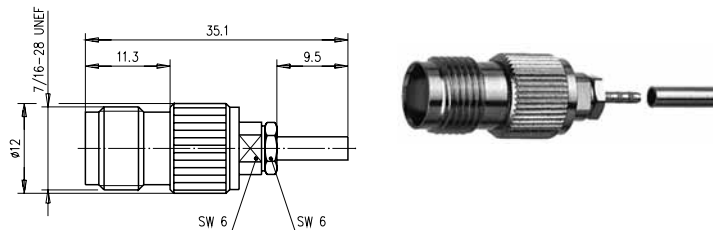
Order no. Bestell-Nr.	Z	Cable group; cable Kabelgruppe; Kabel	Remarks Anmerkungen	Assembly Montage
J01011A0014	50	G1 (RG-58C/U)	pressure sleeve Druckverschraubung	A08
J01013A0004	75	G2 (RG-59B/U)	pressure sleeve Druckverschraubung	A08

TNC Straight Jack Crimp  
TNC-Kabelbuchse Crimp

2.6



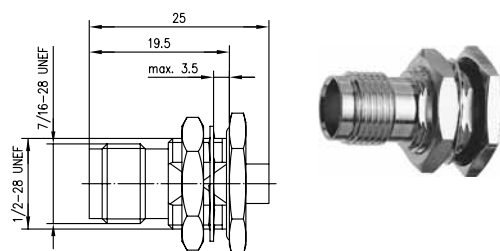
Order no. Bestell-Nr.	Z	Cable group; cable Kabelgruppe; Kabel	Remarks Anmerkungen	Assembly Montage	Crimp die Crimpeinsatz
J01011A2265	50	G1 (RG-58C/U)	crimp/crimp	A0805	N01001A0005
J01011A2287	50	G5 (RG-223/U)	crimp/crimp	A0805	N01001A0005
J01011A0044	50	G30 (1.5/3.8)	crimp/crimp	A0806	N01001A0007
J01011A0055	50	G37 (2.7/7.25)	solder/crimp löt/crimp	A3112	N01001D1274
J01013A2262	75	G2 (RG-59 B/U)	crimp/crimp	A0806	N01001A0007



Order no. Bestell-Nr.	Z	Cable group; cable Kabelgruppe; Kabel	Remarks Anmerkungen	Assembly Montage	Crimp die Crimpeinsatz
J01011B0032	50	G3 (RG-178B/U)	crimp/crimp	A2913	N01001A0010
J01011A0050	50	G7 (RG-316/U)	crimp/crimp	A2903	N01001A0009
J01011A0011	50	G8 (RD-316)	crimp/crimp	A2914	N01001A0014

TNC Bulkhead Jack  
TNC-Kabeleinbaubuchse

2.7



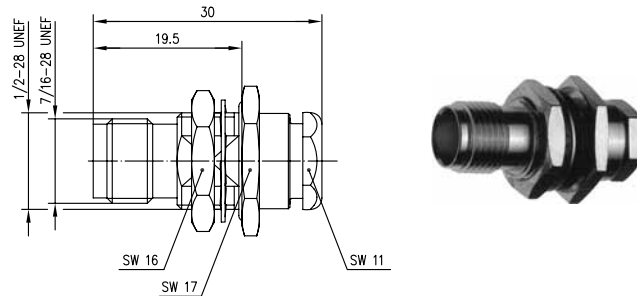
Order no. Bestell-Nr.	Z	Cable group; cable Kabelgruppe; Kabel	Mount. dim. Einbaumaß	Assembly Montage
J01011A0054	50	G11 (UT-85)	Z04	A18
J01011A0008	50	G10 (UT-141)	Z04	A18

2.7



## TNC Bulkhead Jack

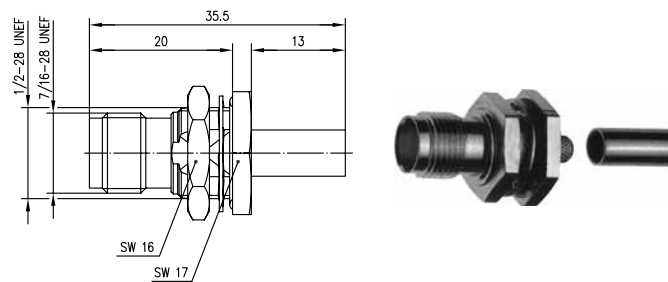
### TNC-Kabeleinbaubuchse



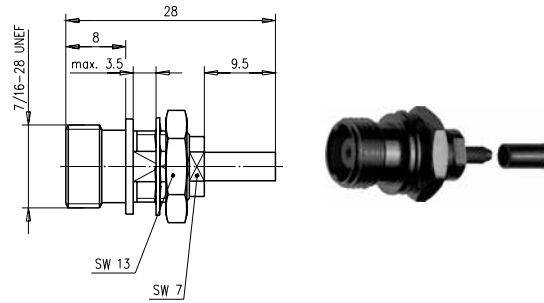
Order no. Bestell-Nr.	Z	Cable group; cable Kabelgruppe; Kabel	Remarks Anmerkungen	Mount. dim. Einbaumaß	Assembly Montage
J01011A2336	50	G3 (RG-178B/U)	pressure sleeve IP 67 Druckverschraubung IP 67	Z04	A04
J01011A2337	50	G7 (RG-316/U)	pressure sleeve IP 67 Druckverschraubung IP 67	Z04	A04
J01011A2223	50	G1 (RG-58C/U); G5 (RG-223/U); RG-141A/U; RG-142B/U; 1.0/2.95 AF	MIL-clamp IP 67 MIL-Verschraubung IP 67	Z04	A11
J01011A0036	50	G11 (UT-85)	MIL-clamp IP 67 MIL-Verschraubung IP 67	Z04	A15
J01011A0034	50	G10 (UT-141)	MIL-clamp IP 67 MIL-Verschraubung IP 67	Z04	A15
J01013A2224	75	G2 (RG-59B/U)	pressure sleeve IP 67 Druckverschraubung IP 67	Z04	A11
B00031D1275			insulators, colour: transparent Isolierscheibe, Farbe: natur		

## TNC Bulkhead Jack Crimp

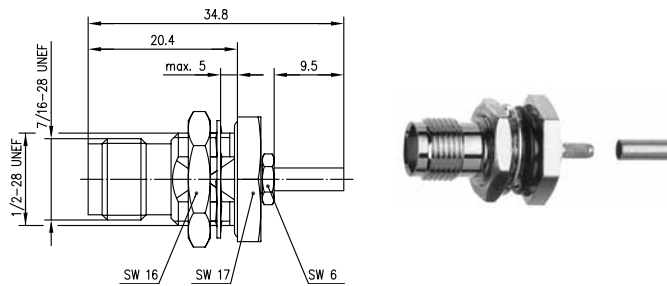
### TNC-Kabeleinbaubuchse Crimp



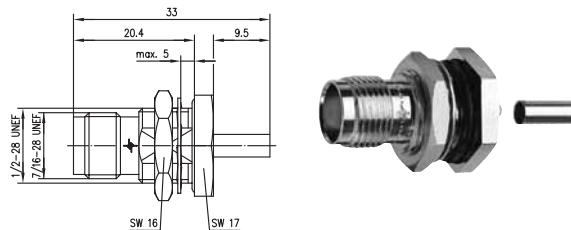
Order no. Bestell-Nr.	Z	Cable group; cable Kabelgruppe; Kabel	Remarks Anmerkungen	Mount. dim. Einbaumaß	Assembly Montage	Crimp die Crimpeinsatz
J01011A0015	50	G1 (RG-58C/U)	crimp/crimp	Z04	A1105	N01001A0005
J01011A0016	50	G5 (RG-223/U)	crimp/crimp	Z04	A1105	N01001A0005
J01013A2260	75	G2 (RG-59B/U)	solder/crimp löt/crimp	Z04	A1106	N01001A0007



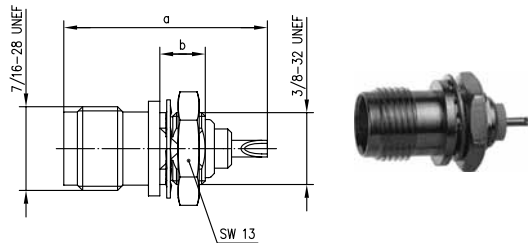
Order no. Bestell-Nr.	Z	Cable group; cable Kabelgruppe; Kabel	Remarks Anmerkungen	Mount. dim. Einbaumaß	Assembly Montage	Crimp die Crimpeinsatz
J01011A0023	50	G7 (RG-316/U)	solder/crimp not IEC 169-17 löt/crimp nicht IEC 169-17	Z19	A1903	N01001A0009
J01011A0051	50	G8 (RD-316)	solder/crimp not IEC 169-17 löt/crimp nicht IEC 169-17	Z19	A1920	N01001A0014



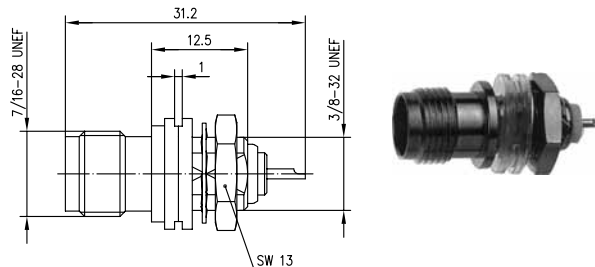
Order no. Bestell-Nr.	Z	Cable group; cable Kabelgruppe; Kabel	Remarks Anmerkungen	Mount. dim. Einbaumaß	Assembly Montage	Crimp die Crimpeinsatz
J01011B0030	50	G3 (RG-178B/U)	crimp/crimp	Z04	A2913	N01001A0010
J01013B0008	75	G4 (RG-179B/U)	crimp/crimp	Z04	A2903	N01001A0009



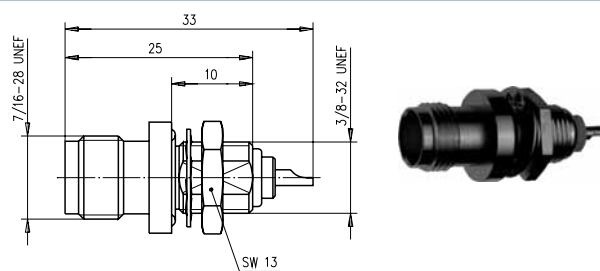
Order no. Bestell-Nr.	Z	Cable group; cable Kabelgruppe; Kabel	Remarks Anmerkungen	Mount. dim. Einbaumaß	Assembly Montage	Crimp die Crimpeinsatz
J01011A0061	50	G7 (RG-316/U)	crimp/crimp	Z04	A3516	N01001A0009
J01011A0058	50	G7 (RG-316/U)	solder/crimp with panel and barrier sealing löt/crimp; einbau- und längsdicht	Z04	A4016	N01001A0009
J01011A0060	50	G8 (RD-316)	crimp/crimp	Z04	A3520	N01001A0014
B00031D1275			insulators, colour: transparent Isolierscheibe, Farbe: natur			

TNC Bulkhead Socket  
TNC-Einbaubuchse

Order no.	Z	Dimensions	Mount. dim.
Bestell-Nr.	Z	Abmessungen	Einbaumaß
J01011A0012	50	a=32, b=10.8	Z01
J01011A2615	50	a=26.8, b=6	Z01
J01013A2218	75	a=31, b=12.5	Z01
J01013A2619	75	a=26.8, b=6	Z01



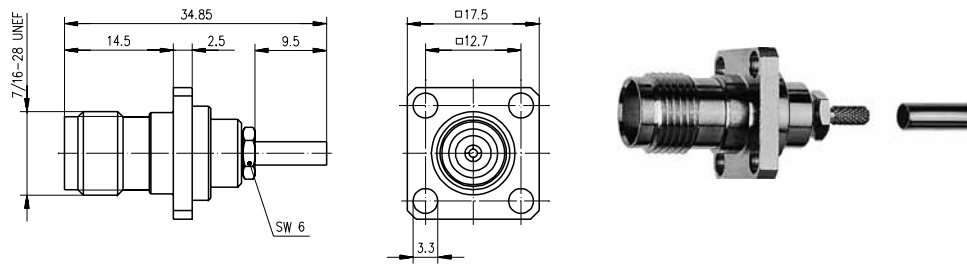
Order no.	Z	Remarks	Mount. dim.
Bestell-Nr.	Z	Anmerkungen	Einbaumaß
J01011A0013	50	insulated mounting isolierter Einbau	Z04
J01013A2286	75	insulated mounting isolierter Einbau	Z04



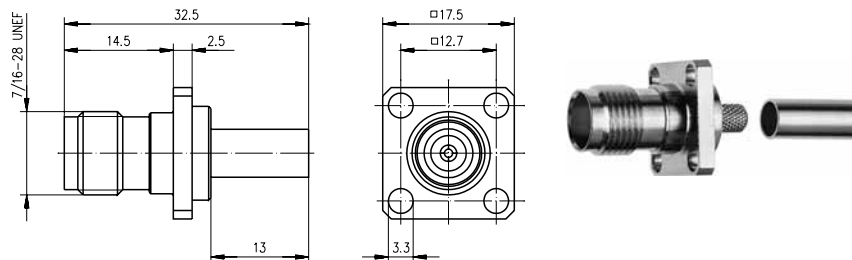
Order no.	Z	Remarks	Mount. dim.
Bestell-Nr.	Z	Anmerkungen	Einbaumaß
J01011A2614	50	with panel seal, barrier sealed mit Dichtring, längsdicht	Z02

TNC Panel Jack  
TNC-Kabeleinbaubuchse mit Flansch

2.10



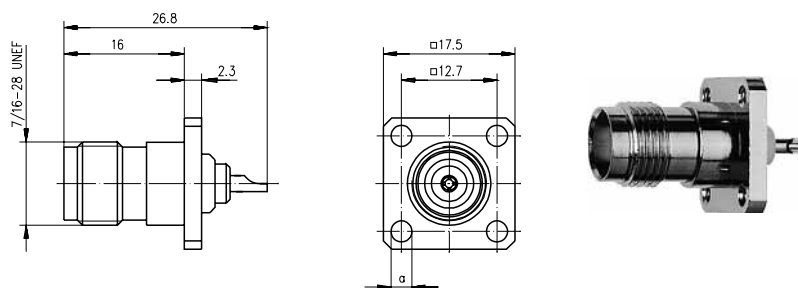
Order no. Bestell-Nr.	Z	Cable group; cable Kabelgruppe; Kabel	Remarks Anmerkungen	Mount. dim. Einbaumaß	Assembly Montage	Crimp die Crimpeinsatz
J01011B0046	50	G7 (RG-316/U)	crimp/crimp	Z54	A2903	N01001A0009
J01011A0053	50	G8 (RD-316)	crimp/crimp	Z54	A2914	N01001A0014



Order no. Bestell-Nr.	Z	Cable group; cable Kabelgruppe; Kabel	Remarks Anmerkungen	Mount. dim. Einbaumaß	Assembly Montage	Crimp die Crimpeinsatz
J01011A0045	50	G1 (RG-58C/U)	crimp/crimp	Z54	A1005	N01001A0005
J01011A0047	50	G5 (RG-223/U)	crimp/crimp	Z54	A1005	N01001A0005

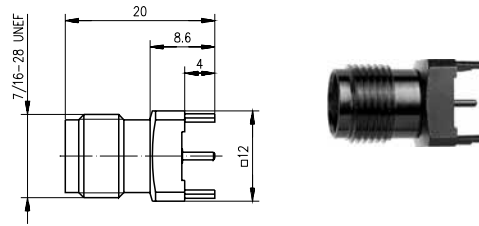
TNC Panel Socket  
TNC-Einbaubuchse mit Flansch

2.11



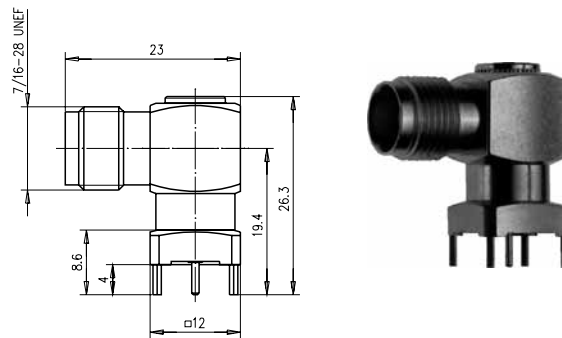
Order no. Bestell-Nr.	Z	Remarks Anmerkungen	Dimensions Abmessungen	Mount. dim. Einbaumaß
J01011F0613	50	solder löt	a=3-56" = M2.5	Z05

## 2.12

TNC Receptacle, female, for Printed Circuits  
TNC-Buchse für gedruckte Schaltungen

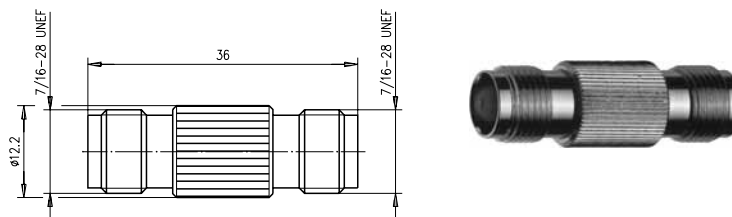
Order no.	Z	Mount. dim.
Bestell-Nr.	Z	Einbaumaß
J01011A2944	50	Z06
J01013A2946	75	Z06

## 2.13

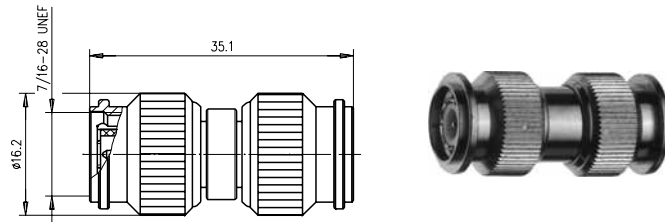
TNC Angle Receptacle, female, for Printed Circuits  
TNC-Winkelbuchse für gedruckte Schaltungen

Order no.	Z	Mount. dim.
Bestell-Nr.	Z	Einbaumaß
J01011A2948	50	Z06
J01013A2949	75	Z06

## 2.14

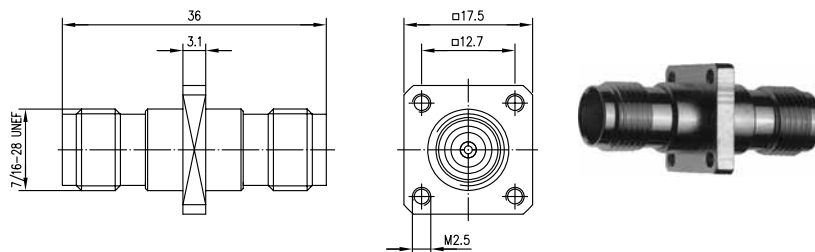
TNC Adaptor  
TNC-Kupplung

Order no.	Z	Remarks
Bestell-Nr.	Z	Anmerkungen
J01014A2618	50	f-f Bu-Bu

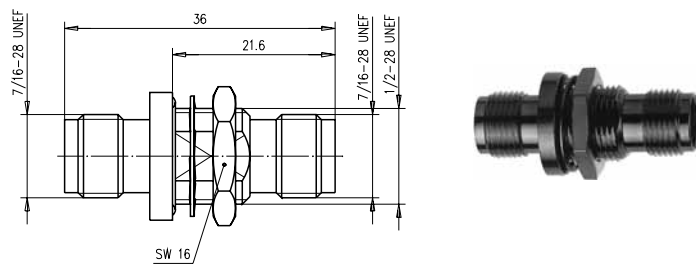


Order no.	Z	Remarks
Bestell-Nr.	Z	Anmerkungen
J01014A2806	50	m-m Sti-Sti

**TNC Adaptor for Panel Mounting**  
**TNC-Verbindungsstück**



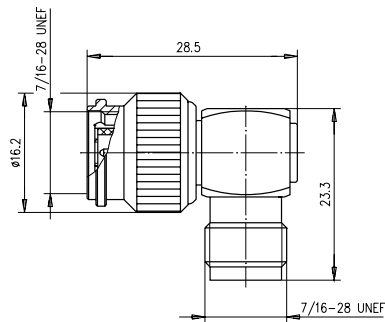
Order no.	Z	Remarks	Mount. dim.
Bestell-Nr.	Z	Anmerkungen	Einbaumaß
J01014A0004	50	f-f Bu-Bu	Z05



Order no.	Z	Remarks	Mount. dim.
Bestell-Nr.	Z	Anmerkungen	Einbaumaß
J01014A2233	50	f-f Bu-Bu	Z04

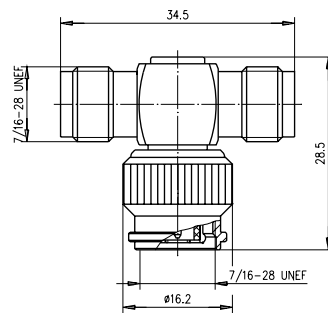
B00031D1275 insulators, colour: transparent  
Isolierscheibe, Farbe: natur

## 2.16

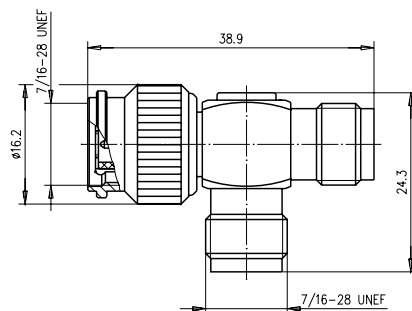
TNC Angle Adaptor  
TNC-Winkelverbindungsstück

Order no.	Z	Remarks
Bestell-Nr.	Z	Anmerkungen
J01014A0001	50	m-f Sti-Bu

## 2.17

TNC T Adaptor  
TNC-T-Stück

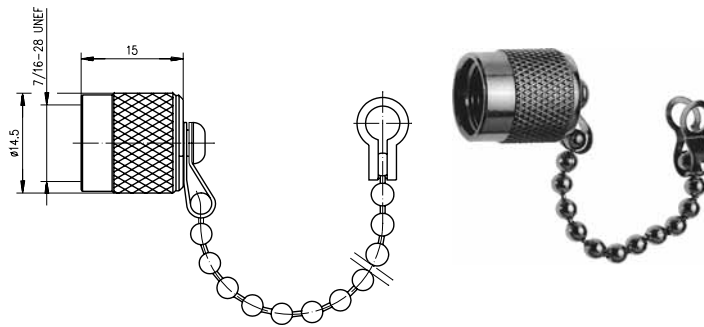
Order no.	Z	Remarks
Bestell-Nr.	Z	Anmerkungen
J01014A0000	50	f-m-f Bu-Sti-Bu



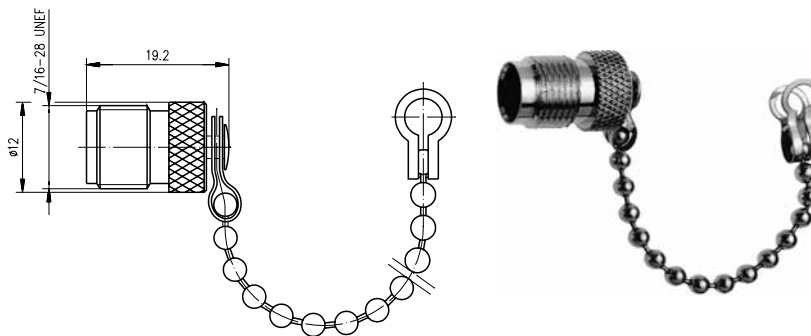
Order no.	Z	Remarks
Bestell-Nr.	Z	Anmerkungen
J01014A0002	50	m-f-f Sti-Bu-Bu

TNC Dust Cap  
TNC-Abdeckkappe

2.18



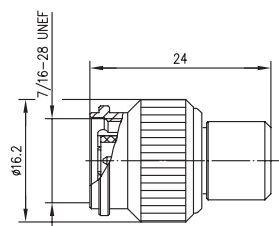
Order no. Bestell-Nr.	Remarks Anmerkungen
H00050A0000	m Sti



Order no. Bestell-Nr.	Remarks Anmerkungen
H00051A0000	f Bu

TNC Termination  
TNC-Abschlusswiderstand

2.19



Order no. Bestell-Nr.	Z	Technical Information Technische Daten	Remarks Anmerkungen
J01016A0002	50	1 W; 2 GHz; $\geq 30$ dB; 6 GHz; $\geq 21$ dB	m Sti

2.19