



Contents

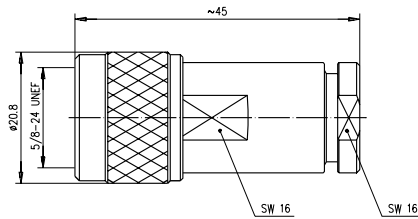
3.1	N Straight Plug	93
3.2	N Straight Plug Crimp	97
3.3	N Angle Plug	98
3.4	N Angle Plug Crimp	99
3.5	N Panel Receptacle, male	100
3.6	N Straight Jack	100
3.7	N Straight Jack Crimp	104
3.8	N Bulkhead Jack	105
3.9	N Bulkhead Jack Crimp	107
3.10	N Panel Jack	108
3.11	N Panel Jack Crimp	109
3.12	N Bulkhead Socket	109
3.13	N Panel Receptacle, female	109
3.14	N Adaptor	111
3.15	N Adaptor for Panel Mounting	111
3.16	N Angle Adaptor	112
3.17	N T Adaptor	112
3.18	N Surge Suppressor	113
3.19	N Dust Cap	117
3.20	N Termination Plug	117
3.21	N Hood	119
3.22	N Attenuators	119

Übersicht

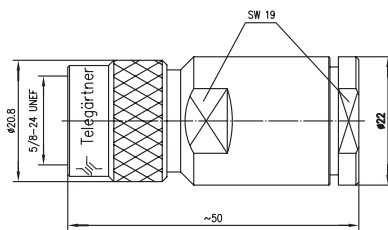
3.1	N-Kabelstecker	93
3.2	N-Kabelstecker Crimp	97
3.3	N-Kabelwinkelstecker	98
3.4	N-Kabelwinkelstecker Crimp	99
3.5	N-Einbaustecker mit Flansch	100
3.6	N-Kabelbuchse	100
3.7	N-Kabelbuchse Crimp	104
3.8	N-Kabeleinbaubuchse	105
3.9	N-Kabeleinbaubuchse Crimp	107
3.10	N-Kabeleinbaubuchse mit Flansch	108
3.11	N-Kabeleinbaubuchse mit Flansch Crimp	109
3.12	N-Einbaubuchse	109
3.13	N-Einbaubuchse mit Flansch	109
3.14	N-Kupplung	111
3.15	N-Verbindungsstück	111
3.16	N-Winkelverbindungsstück	112
3.17	N-T- Stück	112
3.18	N-Überspannungsableiter	113
3.19	N-Abdeckkappe	117
3.20	N-Abschlusswiderstand	117
3.21	N-Abschirmkappe	119
3.22	N-Dämpfungsglieder	119

N Straight Plug
N-Kabelstecker

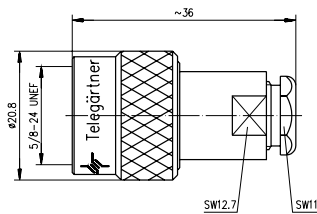
3.1



Order no. Bestell-Nr.	Cable group; cable Kabelgruppe; Kabel	Remarks Anmerkungen	Assembly Montage
J01020H1070	RG-213/U; RG-214/U; 9880 Belden	solder/clamp; pressure sleeve IP 67 löt/klemm; Druckverschraubung IP 67	B01



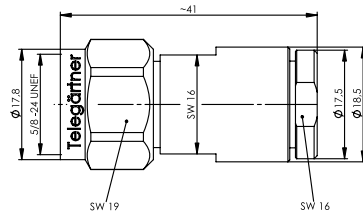
Order no. Bestell-Nr.	Cable group; cable Kabelgruppe; Kabel	Remarks Anmerkungen	Assembly Montage
J01020A0029	G46 (4.2/11.5)	solder/clamp; pressure sleeve IP 67 löt/klemm; Druckverschraubung IP 67	B74
J01020B0029	G47 (4.5/11.5)	solder/screw; pressure sleeve IP 67 löt/schraub; Druckverschraubung IP 67	B74



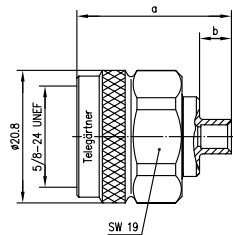
Order no. Bestell-Nr.	Cable group; cable Kabelgruppe; Kabel	Remarks Anmerkungen	Assembly Montage	MIL-Std. MIL-Std.
J01020A0016	G3 (RG-178B/U)	solder/clamp; pressure sleeve IP 67 löt/klemm; Druckverschraubung IP 67	B02	-
J01020A0015	G7 (RG-316/U)	solder/clamp; pressure sleeve IP 67 löt/klemm; Druckverschraubung IP 67	B02	-
J01020B1276	G1 (RG-58C/U); G5 (RG-223/U); 1.0/2.95 AF	solder/clamp; pressure sleeve IP 67 löt/klemm; Druckverschraubung IP 67	B03	UG-536A/U
J01020A0062	G9 (UT-250)	solder/clamp; pressure sleeve IP 67 löt/klemm; Druckverschraubung IP 67	B49	-

3.1

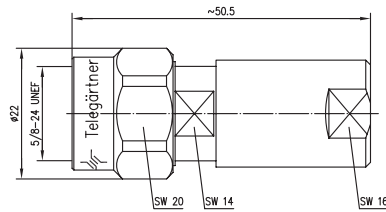
N Straight Plug N-Kabelstecker



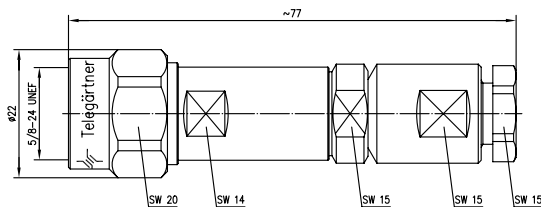
Order no. Bestell-Nr.	Cable group; cable Kabelgruppe; Kabel	Remarks Anmerkungen	Assembly Montage
J01020A0149	G37 (2.7/7.25); G42 (2.7/7.1); H500; Aircom Plus	solder/clamp; pressure sleeve IP 67 löt/klemm; Druckverschraubung IP 67	B82



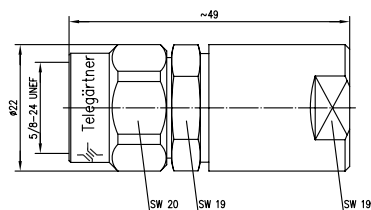
Order no. Bestell-Nr.	Cable group; cable Kabelgruppe; Kabel	Dimensions Abmessungen	Assembly Montage.
J01020A0109	G10 (UT-141)	a=24.3, b=5	B71
J01020A0112	G9 (UT-250); OE 5085	a=26.4, b=4.4	B72



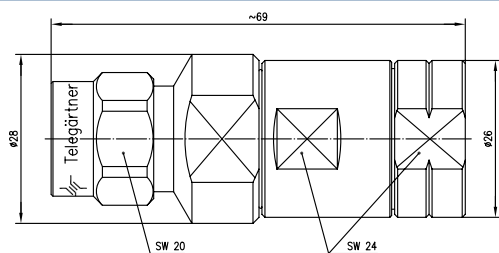
Order no. Bestell-Nr.	Cable group; cable Kabelgruppe; Kabel	Remarks Anmerkungen	Assembly Montage
J01020A0028	G36 (1/4")	Standard	B25



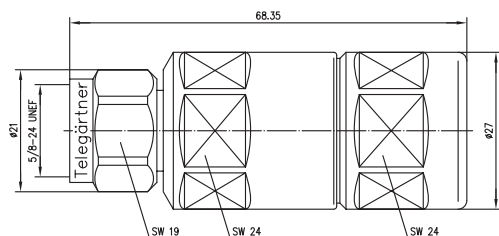
Order no. Bestell-Nr.	Cable group; cable Kabelgruppe; Kabel	Remarks Anmerkungen	Assembly Montage
J01020A0033	G20 (1/4")	standard; pressure sleeve Standard; Druckverschraubung	B35



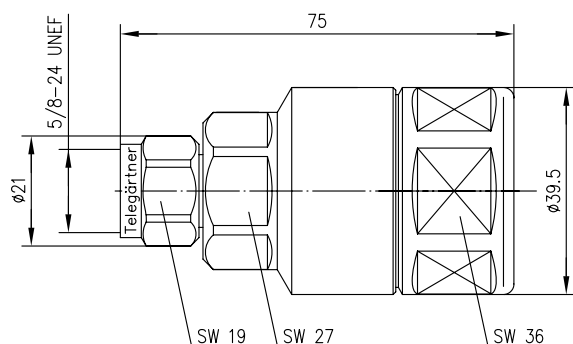
Order no. Bestell-Nr.	Cable group; cable Kabelgruppe; Kabel	Remarks Anmerkungen	Assembly Montage
J01020A0010	LCF 38-50 J	Standard	B29
J01020A0031	LDF2-50 Andrew	Standard	B29



Order no. Bestell-Nr.	Cable group; cable Kabelgruppe; Kabel	Remarks Anmerkungen
J01020A0105	G23 (1/2" FLEX)	SIMFix Plus IP 68; pressure sleeve SIMFix Plus IP 68; Druckverschraubung
J01020A0098	G23 (1/2" FLEX)	SIMFix IP 67; pressure sleeve SIMFix IP 67; Druckverschraubung

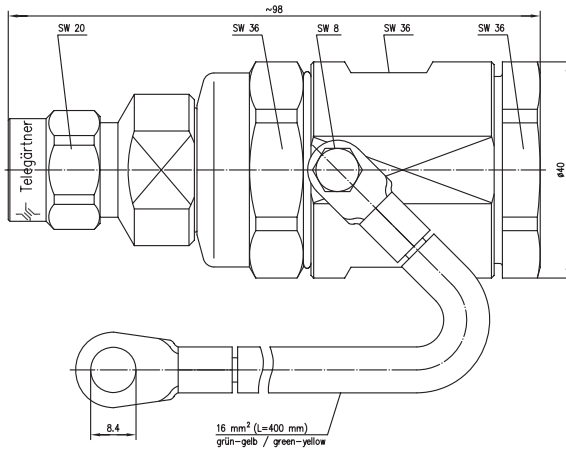


Order no. Bestell-Nr.	Cable group; cable Kabelgruppe; Kabel	Remarks Anmerkungen
J01020B0141	G21 (1/2")	SIMFix Pro IP 68

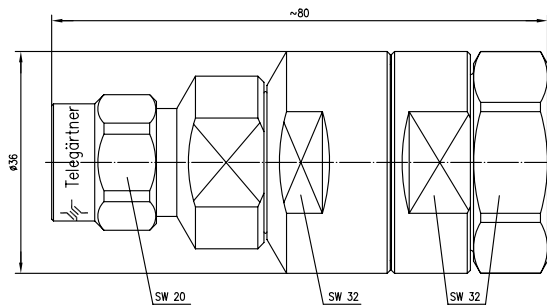


Order no. Bestell-Nr.	Cable group; cable Kabelgruppe; Kabel	Remarks Anmerkungen
J01020B0142	G24 (7/8")	SIMFix Pro IP 68
J01020D0142	RFE 7/8"-50; HFSC 22D	SIMFix Pro IP 68

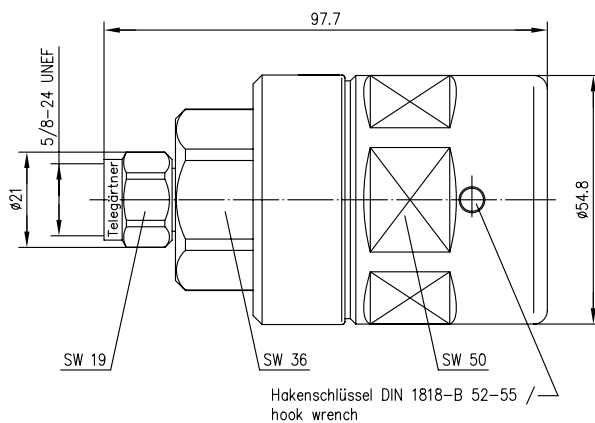
N Straight Plug N-Kabelstecker



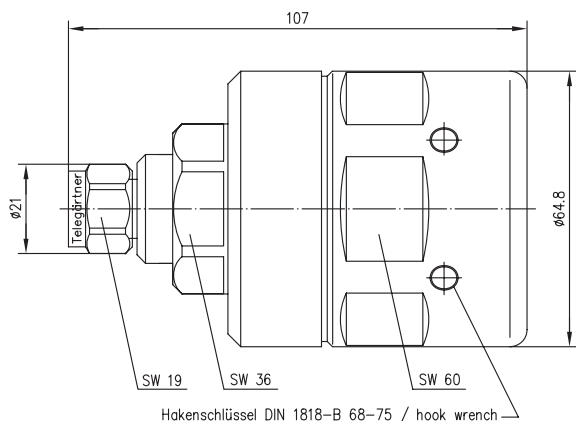
Order no.	Cable group; cable	Remarks	Assembly
Bestell-Nr. J01020A0077	Kabelgruppe; Kabel RFXT 7/8"-50	Anmerkungen SIMFix; pressure sleeve SIMFix; Druckverschraubung	Montage B53



Order no.	Cable group; cable	Remarks	Assembly
Bestell-Nr. J01020A0099	Kabelgruppe; Kabel RFF 7/8"-50	Anmerkungen short kurz	Montage B52



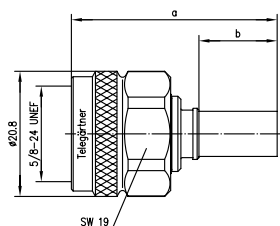
Order no.	Cable group; cable	Remarks
Bestell-Nr. J01020B0143	Kabelgruppe; Kabel G33 (1 1/4")	Anmerkungen SIMFix Pro IP 68



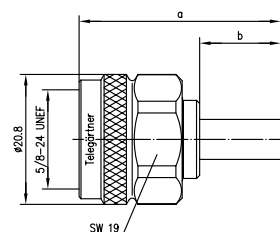
Order no. Bestell-Nr.	Cable group; cable Kabelgruppe; Kabel	Remarks Anmerkungen
J01020B0144	G26 (1 5/8")	SIMFix Pro IP 68

**N Straight Plug Crimp
N-Kabelstecker Crimp**

3.2

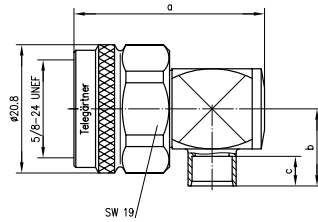


Order no. Bestell-Nr.	Cable group; cable Kabelgruppe; Kabel	Remarks Anmerkungen	Dimensions Abmessungen	Assembly Montage	Crimp die Crimpeinsatz
J01020A0119	G30 (1.5/3.8)	crimp/crimp	a=34.2, b=13	B3306	N01001A0007
J01020A0131	9880 Belden	crimp/crimp	a=36.5, b=14.5	B3412	N01001D1274
J01020A0127	G37 (2.7/7.25)	crimp/crimp	a=36.5, b=14.5	B3426	N01001A0030
J01020A0133	G42 (2.7/7.1); AA-5886	crimp/crimp	a=36.6, b=14.5	B3426	N01001A0030
J01020A0107	RG-213/U	crimp/crimp	a=36.5, b=14.5	B3412	N01001D1274
J01020A0110	RG-214/U	crimp/crimp	a=36.5, b=14.5	B3412	N01001D1274
J01020A0132	K 07252 D-01; RG-393/U	crimp/crimp	a=36.5, b=14.5	B3426	N01001A0030

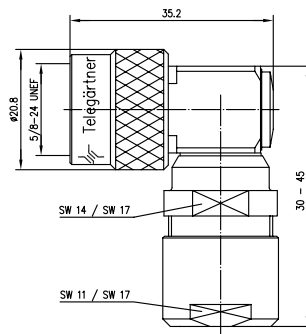


Order no. Bestell-Nr.	Cable group; cable Kabelgruppe; Kabel	Remarks Anmerkungen	Dimensions Abmessungen	Assembly Montage	Crimp die Crimpeinsatz
J01020A0103	G7 (RG- 316/U)	crimp/crimp	a=27.5, b=9.5	B3116	N01001A0009
J01020A0104	G8 (RD-316)	crimp/crimp	a=27.5, b=9.5	B3120	N01001A0014
J01020A0108	G1 (RG-58C/U)	crimp/crimp	a=32.5, b=13	B3305	N01001A0005
J01020A0113	G5 (RG-223/U)	crimp/crimp	a=32.5, b=13.5	B3305	N01001A0005

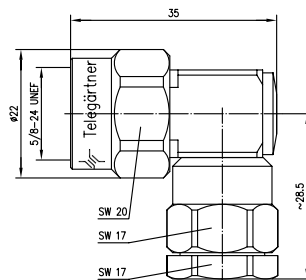
N Angle Plug N-Kabelwinkelstecker



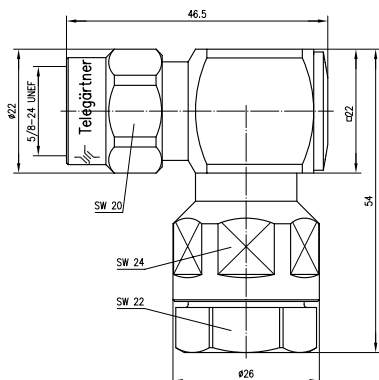
Order no. Bestell-Nr.	Cable group; cable Kabelgruppe; Kabel	Dimensions Abmessungen	Assembly Montage
J01020A0063	G9 (UT-250)	a=31, b=12.5, c=4.8	B40
J01020B0041	G10 (UT-141)	a=27.5, b=10, c=4	B47



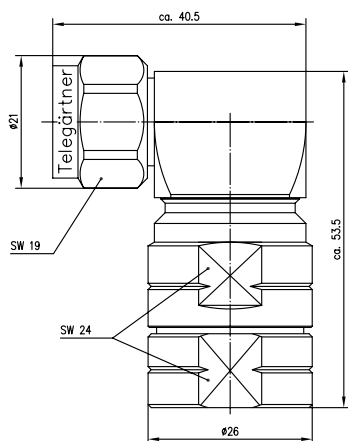
Order no. Bestell-Nr.	Cable group; cable Kabelgruppe; Kabel	Remarks Anmerkungen	Assembly Montage	MIL-Std. MIL-Std.
J01020A0122	G1 (RG-58C/U); G5 (RG-223/U); RG 141 A/U; RG-142 B/U; 1.0/2.95 AF	MIL-clamp MIL-Verschraubung	D01	-
J01020A0123	G42 (2.7/7.1); RG-213/U; RG-11A/U; AA 5886	MIL-clamp MIL-Verschraubung	D04	UG-594/U
J01020A0129	RG-214/U; RG-393/U; 9880 Belden	MIL-clamp MIL-Verschraubung	D04	-



Order no. Bestell-Nr.	Cable group; cable Kabelgruppe; Kabel	Remarks Anmerkungen	Assembly Montage
J01020A0124	SCF38-50J	short; pressure sleeve kurz; Druckverschraubung	D07
J01020A0126	G20 (1/4")	short; pressure sleeve kurz; Druckverschraubung	B62



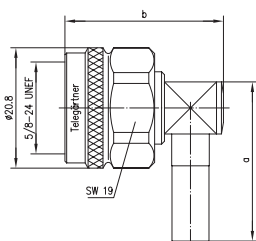
Order no. Bestell-Nr.	Cable group; cable Kabelgruppe; Kabel	Remarks Anmerkungen	Assembly Montage
J01020A0044	G21 (1/2")	short kurz	B42



Order no. Bestell-Nr.	Cable group; cable Kabelgruppe; Kabel	Remarks Anmerkungen	Assembly Montage
J01020A0147	G23 (1/2" FLEX)	SIMFix Pro IP 68; pressure sleeve SIMFix Pro IP 68; Druckverschraubung	B68

N Angle Plug Crimp N-Kabelwinkelstecker Crimp

3.4



Order no. Bestell-Nr.	Cable group; cable Kabelgruppe; Kabel	Remarks Anmerkungen	Dimensions Abmessungen	Assembly Montage	Crimp die Crimpeinsatz
J01020A0040	G7 (RG-316/U)	solder/crimp löt/crimp	a=24, b=27.5	B1803	N01001A0009
J01020A0039	G8 (RD-316)	solder/crimp löt/crimp	a=24, b=27.5	B1814	N01001A0014
J01020A0035	G1 (RG-58C/U); RG-141A/U	solder/crimp löt/crimp	a=27.5, b=27.5	B1805	N01001A0005

3.4

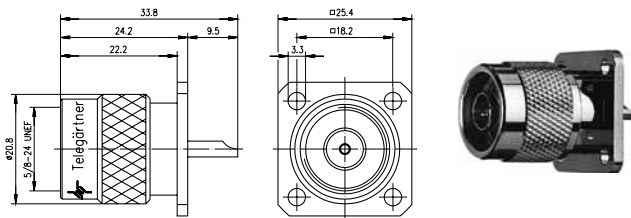
3.4

N Angle Plug Crimp N-Kabelwinkelstecker Crimp

Order no. Bestell-Nr.	Cable group; cable Kabelgruppe; Kabel	Remarks Anmerkungen	Dimensions Abmessungen	Assembly Montage	Crimp die Crimpeinsatz
J01020A0036	G5 (RG-223/U); RG-142B/U; 1.0/2.95 AF	solder/crimp löt/crimp	a=28, b=27.5	B1805	N01001A0005
J01020A0097	G30 (1.5/3.8); LMR-240	solder/crimp löt/crimp	a=31, b=31	B1806	N01001A0007
J01020A0046	G42 (2.7/7.1); RG-213/U; AA5886	solder/crimp löt/crimp	a=31, b=31	B1812	N01001D1274
J01020A0045	RG-214/U; RG-393/U	solder/crimp löt/crimp	a=29.5, b=31	B1812	N01001D1274
J01020B0081	G37 (2.7/7.25)	solder/crimp löt/crimp	a=31, b=31	B1812	N01001D1274

3.5

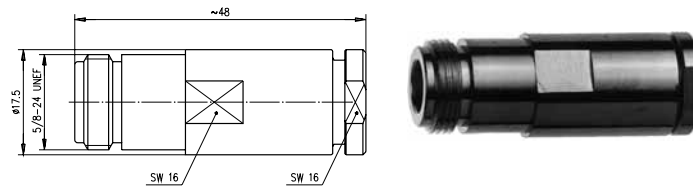
N Panel Receptacle, male N-Einbaustecker mit Flansch



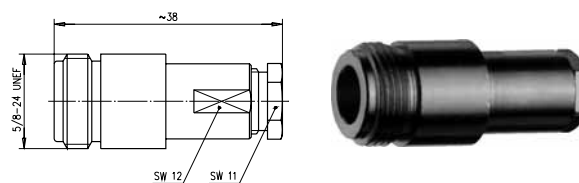
Order no. Bestell-Nr.	Mount. dim. Einbaumaß
J01020A0032	Z08

3.6

N Straight Jack N-Kabelbuchse

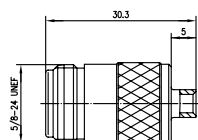


Order no. Bestell-Nr.	Cable group; cable Kabelgruppe; Kabel	Remarks Anmerkungen	Assembly Montage	MIL-Std. MIL-Std.
J01021H1076	RG-213/U; RG-214/U; 9880 Belden	pressure sleeve IP 67 Druckverschraubung IP 67	B04	UG-23/U

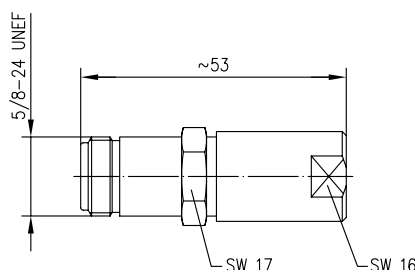


Order no. Bestell-Nr.	Cable group; cable Kabelgruppe; Kabel	Remarks Anmerkungen	Assembly Montage
J01021H0080	G3 (RG-178B/U)	pressure sleeve IP 67 Druckverschraubung IP 67	B05
J01021H0019	G7 (RG-316/U)	pressure sleeve IP 67 Druckverschraubung IP 67	B05

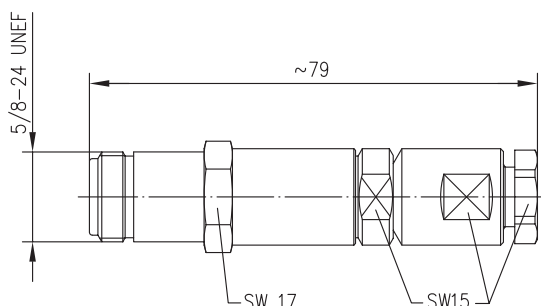
Order no. Bestell-Nr.	Cable group; cable Kabelgruppe; Kabel	Remarks Anmerkungen	Assembly Montage
J01021H0020	G8 (RD-316)	pressure sleeve IP 67 Druckverschraubung IP 67	B05
J01021H0021	G1 (RG-58C/U); G5 (RG-223/U); 1.0/2.95 AF	pressure sleeve IP 67 Druckverschraubung IP 67	B06
J01021H0070	G11 (UT-85)	pressure sleeve IP 67 Druckverschraubung IP 67	B15



Order no. Bestell-Nr.	Cable group; cable Kabelgruppe; Kabel	Assembly Montage
J01021A0165	G10 (UT-141)	B64

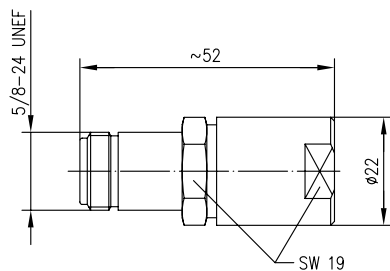


Order no. Bestell-Nr.	Cable group; cable Kabelgruppe; Kabel	Remarks Anmerkungen	Assembly Montage
J01021A0043	G36 (1/4")	Standard	B25

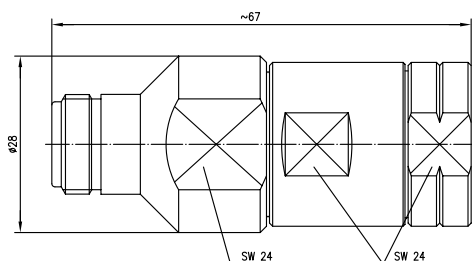


Order no. Bestell-Nr.	Cable group; cable Kabelgruppe; Kabel	Remarks Anmerkungen	Assembly Montage
J01021A0106	G20 (1/4")	standard; pressure sleeve Standard; Druckverschraubung	B35

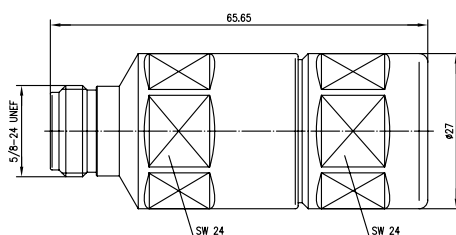
N Straight Jack N-Kabelbuchse



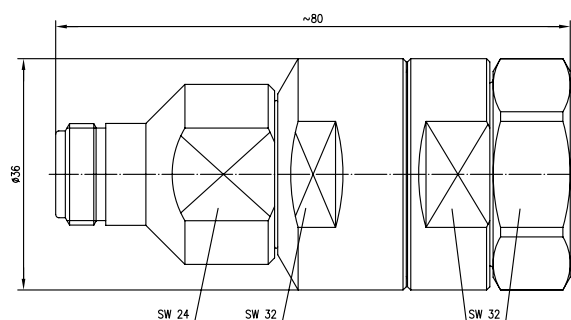
Order no. Bestell-Nr.	Cable group; cable Kabelgruppe; Kabel	Remarks Anmerkungen	Assembly Montage
J01021A0041	G28 (3/8")	Standard	B29
J01021A0045	LDF2-50	Standard	B29



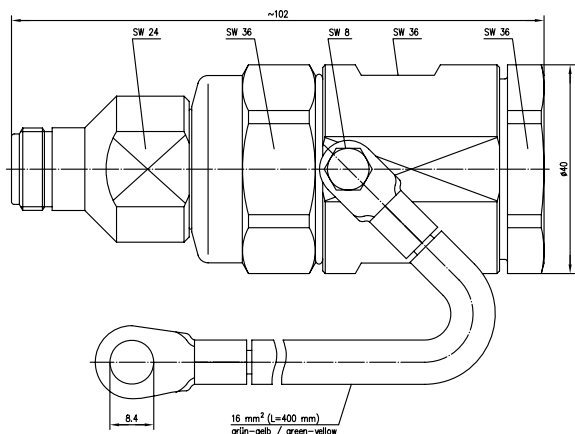
Order no. Bestell-Nr.	Cable group; cable Kabelgruppe; Kabel	Remarks Anmerkungen	Assembly Montage
J01021A0156	G23 (1/2" FLEX)	SIMFix IP 67; pressure sleeve SIMFix IP 67; Druckverschraubung	B65
J01021A0163	G23 (1/2")	SIMFix IP 67; pressure sleeve SIMFix Plus IP 68; Druckverschraubung	B68



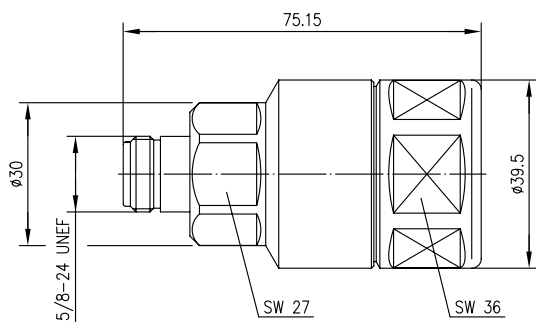
Order no. Bestell-Nr.	Cable group; cable Kabelgruppe; Kabel	Remarks Anmerkungen	Assembly Montage
J01021B0174	G21 (1/2")	SIMFix Pro IP 68	B78



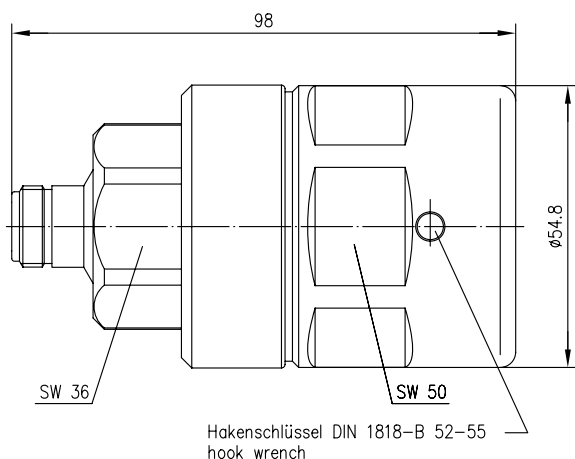
Order no. Bestell-Nr.	Cable group; cable Kabelgruppe; Kabel	Remarks Anmerkungen	Assembly Montage
J01021A0157	RFF 7/8"-50	short Kurz	B52



Order no. Bestell-Nr.	Cable group; cable Kabelgruppe; Kabel	Remarks Anmerkungen	Assembly Montage
J01021A0052	RFXT 7/8"-50	SIMFix	B53

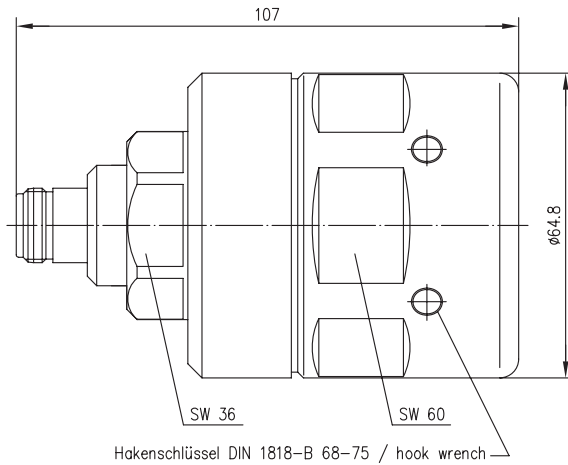


Order no. Bestell-Nr.	Cable group; cable Kabelgruppe; Kabel	Remarks Anmerkungen	Assembly Montage
J01021B0175	G24 (7/8")	SIMFix Pro IP 68	B79
J01021D0175	RFE 7/8"-50; HFSC 22D	SIMFix Pro IP 68	B79



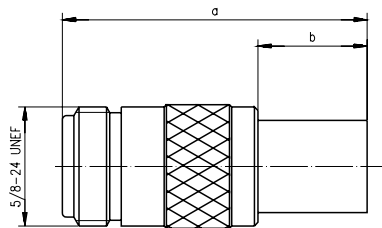
Order no. Bestell-Nr.	Cable group; cable Kabelgruppe; Kabel	Remarks Anmerkungen	Assembly Montage
J01021B0178	G33 (1 1/4")	SIMFix Pro IP 68	B80

N Straight Jack N-Kabelbuchse

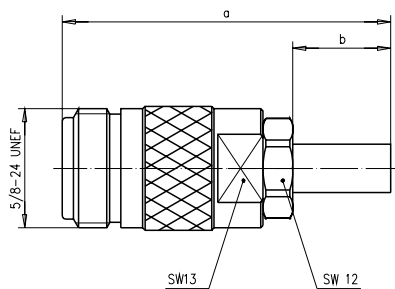


Order no. Bestell-Nr.	Cable group; cable Kabelgruppe; Kabel	Remarks Anmerkungen
J01021B0179	G26 (1 5/8")	SIMFix Pro IP 68

N Straight Jack Crimp N-Kabelbuchse Crimp

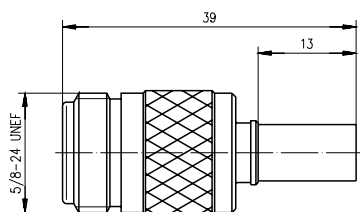


Order no. Bestell-Nr.	Cable group; cable Kabelgruppe; Kabel	Remarks Anmerkungen	Dimensions Abmessungen	Assembly Montage	Crimp die Crimpeinsatz
J01021A0063	G1 (RG-58C/U)	crimp/crimp	a=38.5, b=13	B2905	N01001A0005
J01021A0061	RG-213/U	crimp/crimp	a=40, b=14.5	B3026	N01001A0030
J01021A0145	RG-214/U	crimp/crimp	a=38.5, b=13	B2912	N01001D1274
J01021A0146	G5 (RG-223/U)	crimp/crimp	a=39, b=13.5	B2905	N01001A0005



Order no. Bestell-Nr.	Cable group; cable Kabelgruppe; Kabel	Remarks Anmerkungen	Dimensions Abmessungen	Assembly Montage	Crimp die Crimpeinsatz
J01021H0096	G1 (RG-58C/U)	solder/crimp löt/crimp	a=43.5, b=13	B0905	N01001A0005

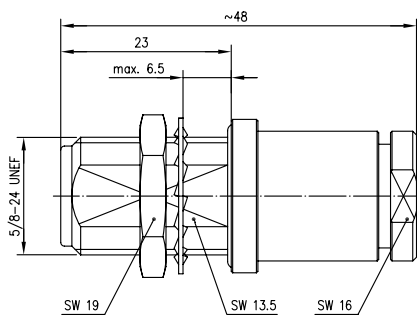
Order no. Bestell-Nr.	Cable group; cable Kabelgruppe; Kabel	Remarks Anmerkungen	Dimensions Abmessungen	Assembly Montage	Crimp die Crimpeinsatz
J01021H0096	G1 (RG-58C/U)	solder/crimp löt/crimp	a=43.5, b=13	B0905	N01001A0005
J01021H0097	G5 (RG-223/U); RG-142 B/U; 1.0/2.95 AF	solder/crimp löt/crimp	a=44, b=13.5	B0905	N01001A0005
J01021H0098	RG-213/U	solder/crimp löt/crimp	a=45, b=14.5	B0912	N01001D1274
J01021H0099	RG-214/U; RG-393/U	solder/crimp löt/crimp	a=43.5, b=13	B0912	N01001D1274
J01021A0155	G37 (2.7/7.25)	solder/crimp löt/crimp	a=45, b=14.5	B3026	N01001A0030
J01021A0160	G42 (2.7/7.1); AA-5886	solder/crimp löt/crimp	a=45, b=14.5	B3212	N01001D1274



Order no. Bestell-Nr.	Cable group; cable Kabelgruppe; Kabel	Remarks Anmerkungen	Assembly Montage	Crimp die Crimpeinsatz
J01021A0117	G30 (1.5/3.8); LMR-240	solder/crimp löt/crimp	B1006	N01001A0007

**N Bulkhead Jack
N-Kabeleinbaubuchse**

3.8

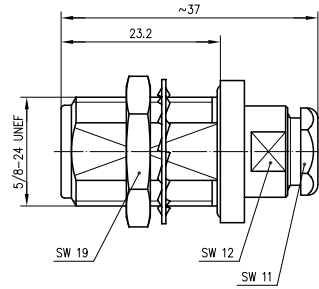


Order no. Bestell-Nr.	Cable group; cable Kabelgruppe; Kabel	Remarks Anmerkungen	Mount. dim. Einbaumaß	Assembly Montage	MIL-Std. MIL-Std.
J01021H1078	RG-213/U; RG-214/U; 9880 Belden	pressure sleeve IP 67 Druckverschraubung IP 67	Z10	B04	UG-160/U

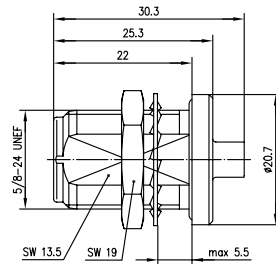
3.8

N Bulkhead Jack

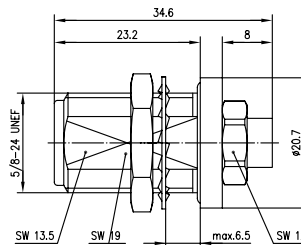
N-Kabeleinbaubuchse



Order no. Bestell-Nr.	Cable group; cable Kabelgruppe; Kabel	Remarks Anmerkungen	Mount. dim. Einbaumaß	Assembly Montage
J01021H0087	G11 (UT-85)	pressure sleeve IP 67 Druckverschraubung IP 67	Z10	B15
J01021H0081	G3 (RG-178B/U)	pressure sleeve IP 67 Druckverschraubung IP 67	Z10	B05
J01021H1003	G7 (RG-316/U)	pressure sleeve IP 67 Druckverschraubung IP 67	Z10	B05
J01021H0004	G8 (RD-316)	pressure sleeve IP 67 Druckverschraubung IP 67	Z10	B05
J01021H1171	G1 (RG-58C/U); G5 (RG-223/U); RG-142 B/U; RG-141 A/U; 1.0/2.95 AF	pressure sleeve IP 67 Druckverschraubung IP 67	Z10	B06



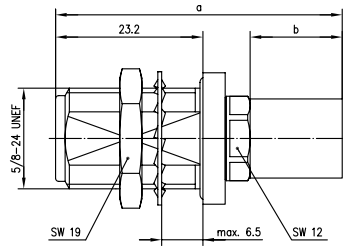
Order no. Bestell-Nr.	Cable group; cable Kabelgruppe; Kabel	Remarks Anmerkungen	Mount. dim. Einbaumaß	Assembly Montage
J01021A0151	G10 (UT-141)	IP 67	Z10	B64



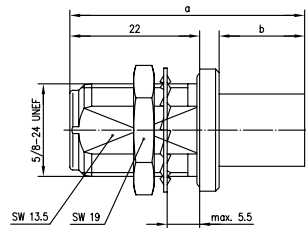
Order no. Bestell-Nr.	Cable group; cable Kabelgruppe; Kabel	Mount. dim. Einbaumaß	Assembly Montage
J01021A0109	G9 (UT-250)	Z10	B37

N Bulkhead Jack Crimp
N-Kabeleinbaubuchse Crimp

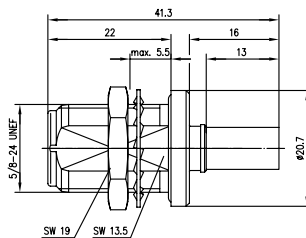
3.9



Order no. Bestell-Nr.	Cable group; cable Kabelgruppe; Kabel	Remarks Anmerkungen	Dimensions Abmessungen	Mount. dim. Einbaumaß	Assembly Montage	Crimp die Crimpeinsatz
J01021H0088	G1 (RG-58C/U); RG-141 A/U	solder/crimp löt/crimp	a=43.5, b=13	Z10	B0905	N01001A0005
J01021H0089	G5 (RG-223/U); RG-142 B/U; 1.0/2.95 AF	solder/crimp löt/crimp	a=44, b=13.5	Z10	B0905	N01001A0005
J01021H0095	RG-213/U	solder/crimp löt/crimp	a=45, b=14.5	Z10	B0912	N01001D1274
J01021H0035	RG-214/U; RG-393/U	solder/crimp löt/crimp	a=45, b=14.5	Z10	B0912	N01001D1274



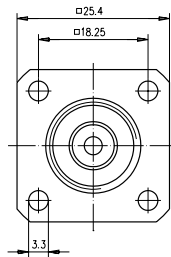
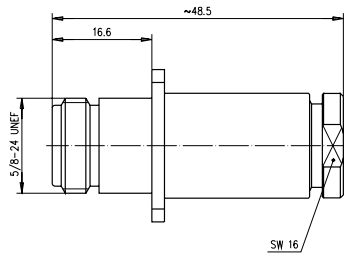
Order no. Bestell-Nr.	Cable group; cable Kabelgruppe; Kabel	Remarks Anmerkungen	Dimensions Abmessungen	Mount. dim. Einbaumaß	Assembly Montage	Crimp die Crimpeinsatz
J01021A0147	G1 (RG-58C/U)	crimp/crimp	a=38.5, b=13	Z10	B2905	N01001A0005
J01021A0148	G5 (RG-223/U)	crimp/crimp	a=39, b=13.5	Z10	B2905	N01001A0005
J01021A0060	RG-213/U	crimp/crimp	a=40, b=14.5	Z10	B2912	N01001D1274
J01021A0092	RG-214/U	crimp/crimp	a=38.5, b=13	Z10	B2912	N01001D1274



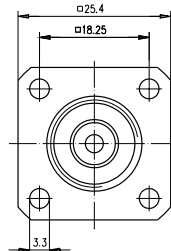
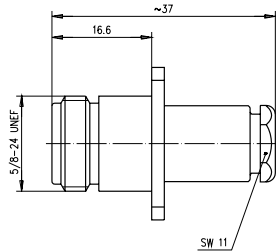
Order no. Bestell-Nr.	Cable group; cable Kabelgruppe; Kabel	Remarks Anmerkungen	Mount. dim. Einbaumaß	Assembly Montage
J01021B0180	G30 (1.5/3.8)	crimp/crimp	Z10	B3606

N Panel Jack

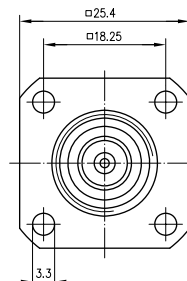
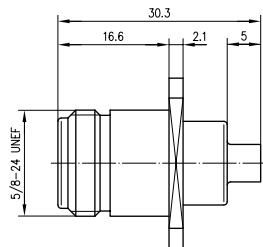
N-Kabeleinbaubuchse mit Flansch



Order no. Bestell-Nr.	Cable group; cable Kabelgruppe; Kabel	Remarks Anmerkungen	Mount. dim. Einbaumaß	Assembly Montage	MIL-Std. MIL-Std.
J01021H1080	RG-213/U; RG-214/U; 9880 Belden	pressure sleeve IP 67 Druckverschraubung IP 67	Z08	B04	UG-22/U



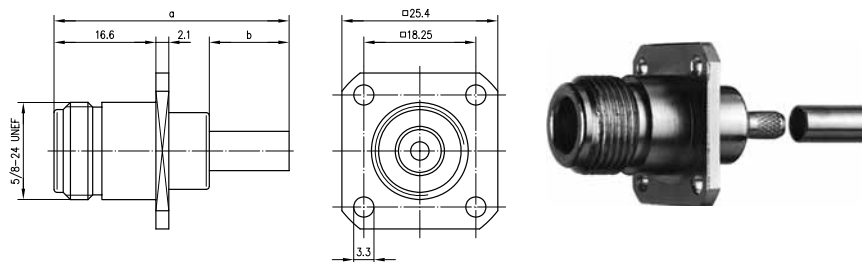
Order no. Bestell-Nr.	Cable group; cable Kabelgruppe; Kabel	Remarks Anmerkungen	Mount. dim. Einbaumaß	Assembly Montage	MIL-Std. MIL-Std.
J01021H0085	G11 (UT-85)	pressure sleeve IP 67 Druckverschraubung IP 67	Z08	B15	-
J01021H0066	G3 (RG-178B/U)	pressure sleeve IP 67 Druckverschraubung IP 67	Z08	B05	-
J01021H0022	G7 (RG-316/U)	pressure sleeve IP 67 Druckverschraubung IP 67	Z08	B05	-
J01021H0023	G8 (RD-316)	pressure sleeve IP 67 Druckverschraubung IP 67	Z08	B05	-
J01021H1119	G1 (RG-58C/U); G5 (RG-223/U); RG-141 A/U; 1.0/2.95 AF	pressure sleeve IP 67 Druckverschraubung IP 67	Z08	B06	UG-1095/U
J01021B0050	G30 (1.5/3.8); LMR-240	pressure sleeve IP 67 Druckverschraubung IP 67	Z08	B06	-



Order no. Bestell-Nr.	Cable group; cable Kabelgruppe; Kabel	Remarks Anmerkungen	Mount. dim. Einbaumaß	Assembly Montage
J01021A0164	G10 (UT-141)	IP 67	Z08	B64

**N Panel Jack Crimp
N-Kabeleinbaubuchse mit Flansch Crimp**

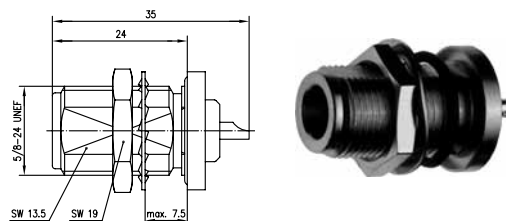
3.11



Order no. Bestell-Nr.	Cable group; cable Kabelgruppe; Kabel	Remarks Anmerkungen	Dimensions Abmessungen	Mount. dim. Einbaumaß	Assembly Montage	Crimp die Crimpeinsatz
J01021A0152	G1 (RG-58C/U)	crimp/crimp	a=38.5, b=13	Z08	B2905	N01001A0005
J01021A0153	G5 (RG-223/U)	crimp/crimp	a=39, b=13.5	Z08	B2905	N01001A0005
J01021A0149	RG-213/U	crimp/crimp	a=40.5, b=14.5	Z08	B2912	N01001D1274
J01021A0150	RG-214/U	crimp/crimp	a=38.5, b=13	Z08	B2912	N01001D1274

**N Bulkhead Socket
N-Einbaubuchse**

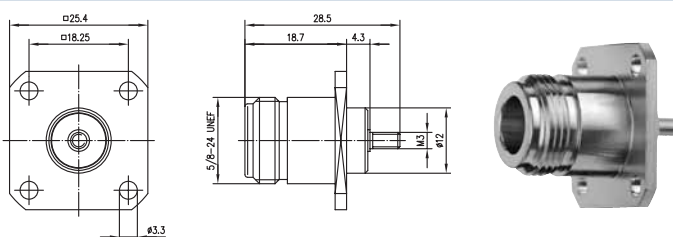
3.12



Order no. Bestell-Nr.	Mount. dim. Einbaumaß
J01021A1084	Z10

**N Panel Receptacle, female
N-Einbaubuchse mit Flansch**

3.13

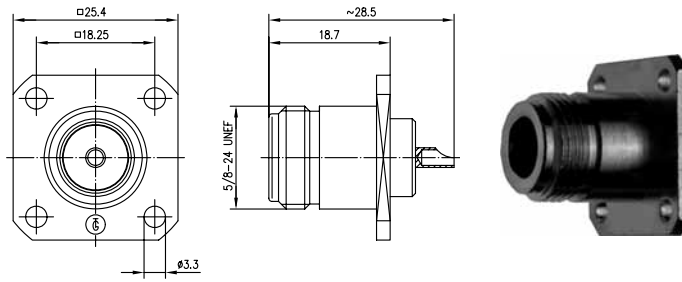


Order no. Bestell-Nr.	Dimensions Abmessungen	Mount. dim. Einbaumaß
J01021B0008	inner conductor gold plated Innenleiter vergoldet	Z08

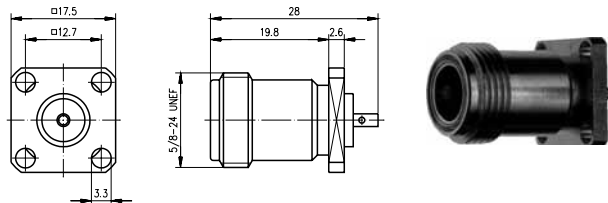
3.13

N Panel Receptacle, female

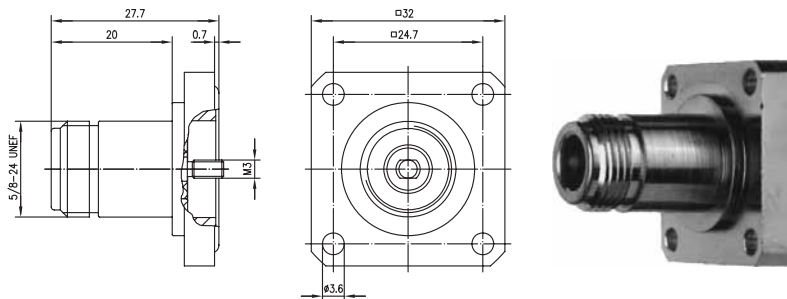
N-Einbaubuchse mit Flansch



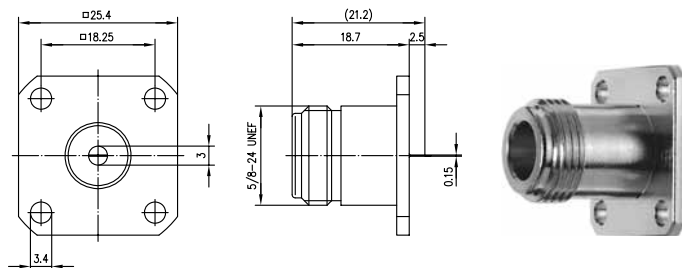
Order no. Bestell-Nr.	Mount. dim. Einbaumaß	MIL-Std. MIL-Std.
J01021H1082	Z08	UG 58/U



Order no. Bestell-Nr.	Mount. dim. Einbaumaß
J01021B0007	Z43



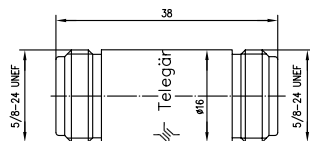
Order no. Bestell-Nr.	Mount. dim. Einbaumaß
J01021H1059	Z62



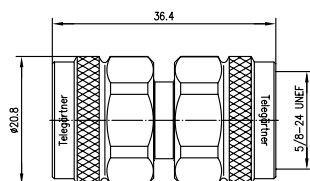
Order no. Bestell-Nr.	Remarks Anmerkungen	Mount. dim. Einbaumaß
J01021A0139	strip line termination Streifenleiteranschluss	Z08

**N Adaptor
N-Kupplung**

3.14



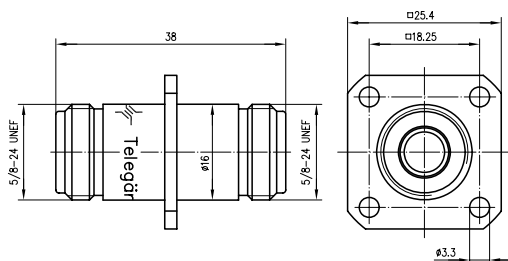
Order no. Bestell-Nr.	Remarks Anmerkungen	MIL-Std. MIL-Std.
J01024A0004	f-f IP 68 Bu-Bu IP 68	UG-29 A/U



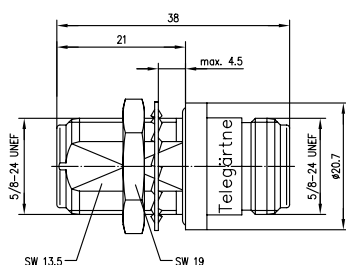
Order no. Bestell-Nr.	Remarks Anmerkungen	MIL-Std. MIL-Std.
J01024J1094	m-m Sti-Sti	UG-57/U

**N Adaptor for Panel Mounting
N-Verbindungsstück**

3.15

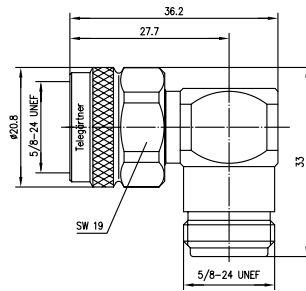


Order no. Bestell-Nr.	Remarks Anmerkungen	Mount. dim. Einbaumaß	MIL-Std. MIL-Std.
J01024A0005	f-f IP 68 Bu-Bu IP 68	Z08	UG-129/U



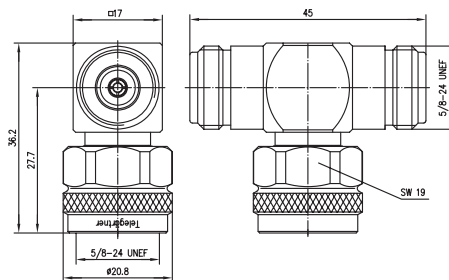
Order no. Bestell-Nr.	Remarks Anmerkungen	Dimensions Abmessungen	Mount. dim. Einbaumaß	MIL-Std. MIL-Std.
J01024A0006	f-f IP 68	f-f IP 68 Bu-Bu IP 68	Z10	UG-30/U

3.16

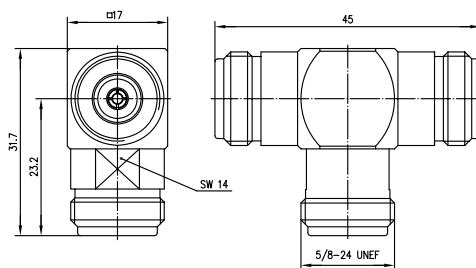
N Angle Adaptor
N-Winkelverbindungsstück

Order no.	Remarks	MIL-Std.
Bestell-Nr.	Anmerkungen	MIL-Std.
J01024J1096	m-f IP 67 Sti-Bu IP 67	UG-27/U

3.17

N T Adaptor
N-T-Stück

Order no.	Remarks	MIL-Std.
Bestell-Nr.	Anmerkungen	MIL-Std.
J01024J1120	f-m-f IP 67 Bu-Sti-Bu IP 67	UG-107/U



Order no.	Remarks	MIL-Std.
Bestell-Nr.	Anmerkungen	MIL-Std.
J01024J1098	f-f-f IP 67 Bu-Bu-Bu IP 67	UG-28/U