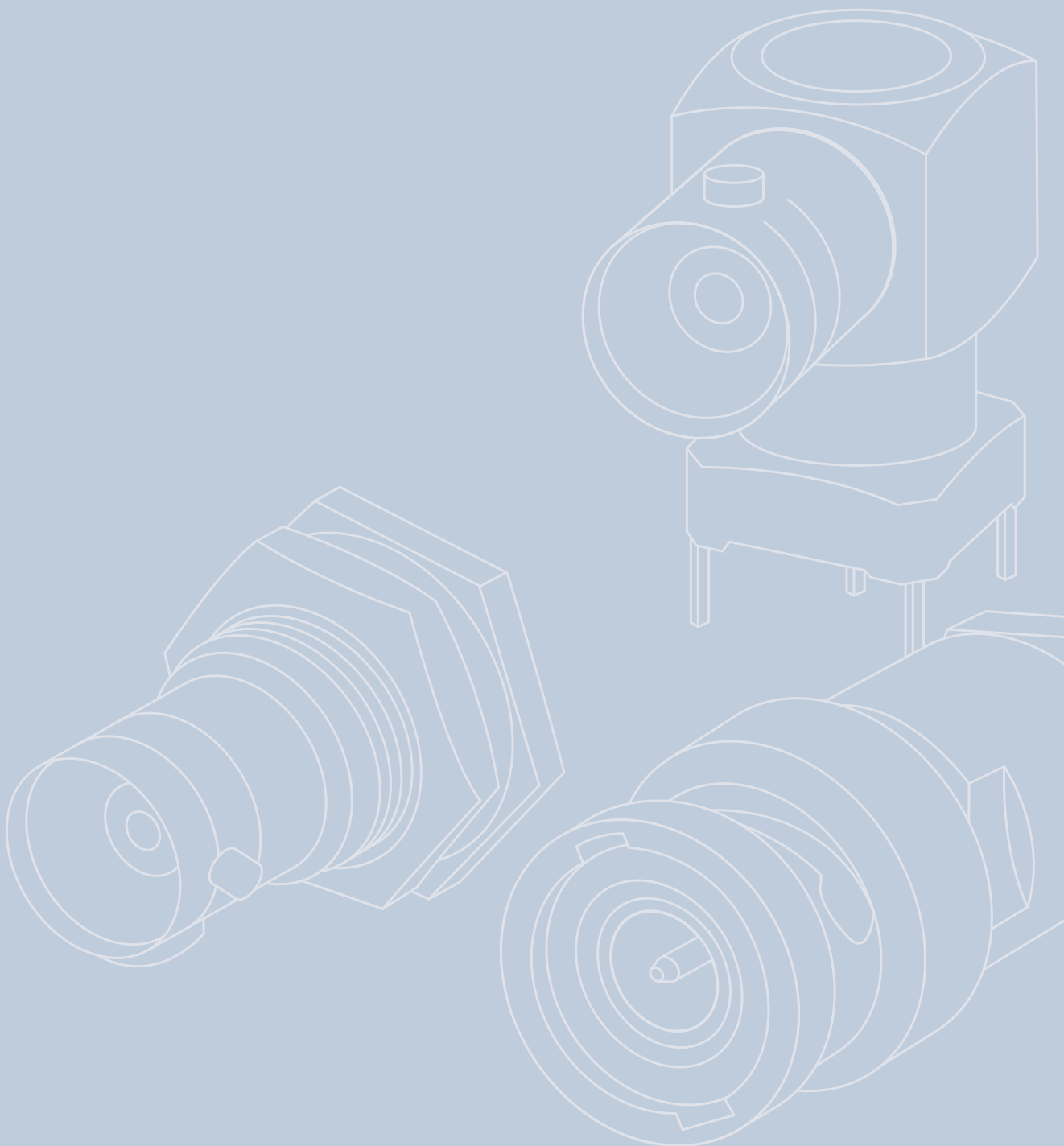


1

BNC
BNC



BNC BNC

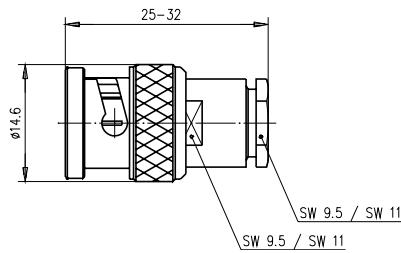
Contents

1.1	BNC Straight Plug	38
1.2	BNC Straight Plug Crimp	40
1.3	BNC Angle Plug	43
1.4	BNC Angle Plug Crimp	44
1.5	BNC Straight Jack	45
1.6	BNC Straight Jack Crimp	46
1.7	BNC Bulkhead Jack	47
1.8	BNC Bulkhead Jack Crimp	48
1.9	BNC Panel Jack	49
1.10	BNC Angle Bulkhead Jack Crimp	51
1.11	BNC Bulkhead Socket	51
1.12	BNC Bulkhead Socket, insulated	53
1.13	BNC Panel Socket	54
1.14	BNC Bulkhead Receptacle with Switch	54
1.15	BNC Bulkhead Receptacle, for Printed Circuits, insulated	55
1.16	BNC Angle Bulkhead Socket	57
1.17	BNC Receptacle, female, for Printed Circuits	57
1.18	BNC Angle Receptacle, female, for Printed Circuits	58
1.19	BNC Adaptor	58
1.20	BNC Adaptor for Panel Mounting	59
1.21	BNC Angle Adaptor	60
1.22	BNC T Adaptor	60
1.23	BNC Dust Cap	62
1.24	BNC Termination	63
1.25	BNC Empty Box	63
1.26	BNC Attenuator/Through Termination	64
1.27	BNC Notch Filter	64

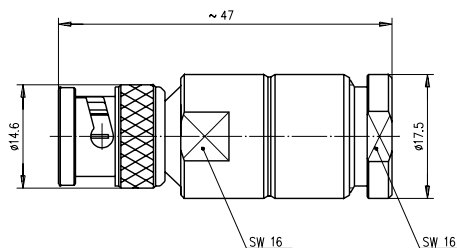
Übersicht

1.1	BNC-Kabelstecker	38
1.2	BNC-Kabelstecker Crimp	40
1.3	BNC-Kabelwinkelstecker	43
1.4	BNC-Kabelwinkelstecker Crimp	44
1.5	BNC-Kabelbuchse	45
1.6	BNC-Kabelbuchse Crimp	46
1.7	BNC-Kabeleinbaubuchse	47
1.8	BNC-Kabeleinbaubuchse Crimp	48
1.9	BNC-Kabeleinbaubuchse mit Flansch	49
1.10	BNC-Kabelwinkeleinbaubuchse Crimp	51
1.11	BNC-Einbaubuchse	51
1.12	BNC-Einbaubuchse, isoliert	53
1.13	BNC-Einbaubuchse mit Flansch	54
1.14	BNC-Einbaubuchse mit Schalter	54
1.15	BNC-Einbaubuchse für gedruckte Schaltungen, isolierter Einbau	55
1.16	BNC-Winkeleinbaubuchse	57
1.17	BNC-Buchse für gedruckte Schaltungen	57
1.18	BNC-Winkelbuchse für gedruckte Schaltungen	58
1.19	BNC-Kupplung	58
1.20	BNC-Verbindungsstück	59
1.21	BNC-Winkelverbindungsstück	60
1.22	BNC-T- Stück	60
1.23	BNC-Abdeckkappe	62
1.24	BNC-Abschlusswiderstand	63
1.25	BNC-Leergehäuse	63
1.26	BNC-Dämpfungsglied/Durchgangsabschluss	64
1.27	BNC-Kerbfiler	64

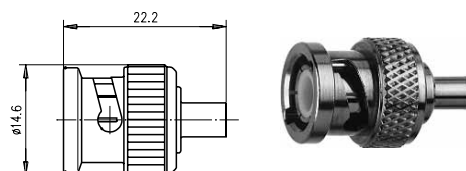


BNC Straight Plug
BNC-Kabelstecker

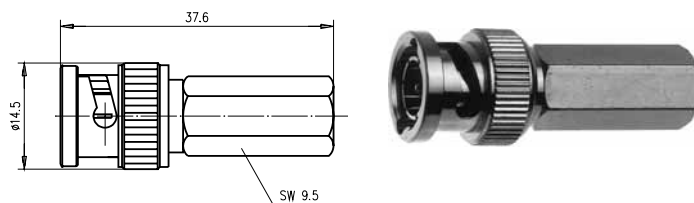
Order no.	Z	Cable group; cable	Remarks	Assembly	MIL-Std.
Bestell-Nr.	Z	Kabelgruppe; Kabel	Anmerkungen	Montage	MIL-Std.
J01000A0606	50	G7 (RG-316/U)	pressure sleeve Druckverschraubung	A03	-
J01000A0608	50	G1 (RG-58C/U); 1.0/2.95 AF	pressure sleeve Druckverschraubung	A01	UG-88/U
J01000B0608	50	G1 (RG-58C/U); G5 (RG-223/U); RG-141A/U; RG-142B/U; 1.0/2.95 AF	MIL-clamp MIL-Verschraubung	A02	UG-88C/U
J01000F0608	50	G1 (RG-58C/U)	pressure sleeve; Low cost Druckverschraubung; Low Cost	A16	UG-88/U
J01000A1321	50	G3 (RG-178B/U)	pressure sleeve Druckverschraubung	A03	-
J01002A0001	75	G27 (9248)	pressure sleeve Druckverschraubung	A02	-
J01002A0609	75	G2 (RG-59B/U)	pressure sleeve Druckverschraubung	A01	UG-260/U
J01002F0609	75	G2 (RG-59B/U)	pressure sleeve; Low cost Druckverschraubung; Low Cost	A16	UG-260/U
J01002A1215	75	G2 (RG-59B/U)	MIL-clamp MIL-Verschraubung	A02	UG-260 A/U
J01002A1216	75	G2 (RG-59B/U); RG-71 B/U; RG-62A/U	MIL-clamp MIL-Verschraubung	A02	UG-260 B/U
J01002A1323	75	G4 (RG-179B/U)	pressure sleeve Druckverschraubung	A03	-



Order no.	Z	Cable group; cable	Remarks	Assembly	MIL-Std.
Bestell-Nr.	Z	Kabelgruppe; Kabel	Anmerkungen	Montage	MIL-Std.
J01002A1940	75	G31 (RG-11A/U); G32 (RG- 216/U); 7731A; 1.6/7.3 AF	pressure sleeve Druckverschraubung	A05	-



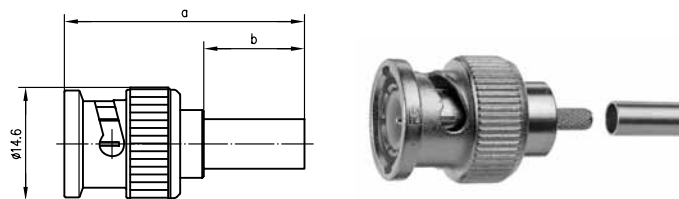
Order no. Bestell-Nr.	Z	Cable group; cable Kabelgruppe; Kabel	Assembly Montage
J01000A0026	50	G11(UT-85)	A17
J01000A0027	50	G10 (UT-141)	A12



Order no. Bestell-Nr.	Z	Cable group; cable Kabelgruppe; Kabel	Remarks Anmerkungen	Assembly Montage
J01002A0015	75	G2 (RG-59B/U)	Twist on	A13

BNC Straight Plug Crimp
BNC-Kabelstecker Crimp

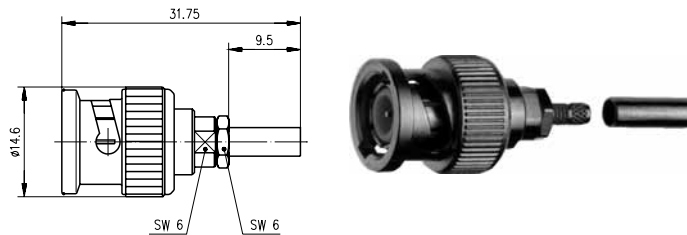
	Basic	Standard	Professional	MIL
Mechanical Characteristics Mechanische Eigenschaften				
Mating cycles (gold plating inner conductor) Steckzyklen (Goldalage Innenleiter)	100 (0.2 µm)	100 (0.8 µm)	1000 (0.8 µm)	2000 (1.27 µm)
Climatic Characteristics Klimatische Eigenschaften				
Temperature range Temperaturbereich	-40/75		-65/165	
Materials Werkstoffe				
Bayonet (Coupling nut) Bajonetthülse Outer conductor Außenleiter Coupling spring Federscheibe	zinc die cast Zinkdruckguss brass Messing copper beryllium Kupferberyllium			brass Messing brass Messing copper beryllium Kupferberyllium
Inner conductor Innenleiter Crimp ferrule Crimprohr	copper beryllium Kupferberyllium copper Kupfer			brass Messing copper Kupfer
Insulator Isolierung	PE-LD		PTFE	
Finish Oberfläche				
Bayonet (Coupling nut) Bajonetthülse Outer conductor Außenleiter Inner conductor Innenleiter Crimp ferrule Crimprohr				Nickel Nickel Gold Nickel
Electrical Characteristics Elektrische Eigenschaften				
Contact resistance Durchgangswiderstand Inner conductor Innenleiter Outer conductor Außenleiter	initial im Neuzustand ≤ 0.9 mΩ ≤ 0.2 mΩ			
Insulation resistance Isolationswiderstand Voltage proof Spannungsfestigkeit Impedance Wellenwiderstand Working voltage Betriebsspannung Frequency range Frequenzbereich VSWR	5 GΩ 1.5 kV 50 Ω /75 Ω 500 V _{eff} /50 Hz 4 GHz ≤ 1.25/1 GHz (50 Ω)			



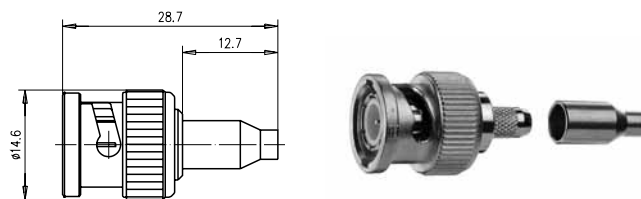
Order no. Bestell-Nr.	Z Z	Cable group; cable Kabelgruppe; Kabel	Remarks Anmerkungen	Dimensions Abmessungen	Assembly Montage	Crimp die Crimpeinsatz	MIL-Std. MIL-Std.
J01000A0042	50	G7 (RG-136/U); G29 (0.45/1.4)	crimp/crimp; Professional	-	A2616	N01001A0009	-
J01000A0043	50	G8 (RD-316)	crimp/crimp; Professional	a=29, b=9.5	A2620	N01001A0014	-
J01000A1255	50	G1 (RG-58C/U); YR23092 Belden	crimp/crimp; Professional	a=31, b=13	A0205	N01001A0005	UG-1785/U
J01000F1255	50	G1 (RG-58C/U); YR23092 Belden	crimp/crimp; Standard	a=31, b=13	A0205	N01001A0005	-
J01000L1255	50	G1 (RG-58C/U); YR23092 Belden	crimp/crimp; Basic	a=28, b=13	A2805	N01001A0005	-
J01000M1255	50	G1 (RG-58C/U); YR23092 Belden	crimp/crimp; MIL	a=31, b=13	A0205	N01001A0005	-
J01000A1256	50	G5 (RG-223/U)	crimp/crimp; Professional	a=31.5, b=13.5	A0205	N01001A0005	UG-1786/U
J01000A0049	50	G30 (1.5/3.8); LMR-240	crimp/crimp; Professional	a=31, b=13	A0206	N01001A0007	-
J01000A0008	50	RG142B/U; 1.0/2.95 AF	crimp/crimp; Professional	a=31.5, b=13.5	A0205	N01001A0005	-
J01000A0050	50	3D-2V	crimp/crimp; Professional	a=31, b=13	A0205	N01001A0005	-
J01002A0000	75	G27 (9248)	crimp/crimp; Professional	a=31, b=13	A0207	N01001A0004	-
J01002A0002	75	1.0/6.6	crimp/crimp; Professional	a=31, b=13	A0210	N01001I1274	-
J01002A0013	75	G17 (0.8/4.9 DZ)	crimp/crimp; Professional	a=31, b=13	A0208	N01001J1274	-
J01002A0028	75	BT 2002	crimp/crimp; Professional	a=31, b=13	A0205	N01001A0005	-
J01002A0030	75	G41 (0.6/2.8-4.7)	crimp/crimp; Professional	a=31, b=13	A0205	N01001A0005	-
J01002A0040	75	2YCCY 0.4/2.5-4.5, 02YS12YC(MS) C6Y 0.45/2.0-3.8 Leoni	crimp/crimp; Professional	a=31, b=13	A0204	N01001L1274	-
J01002A1261	75	RG 62 A/U	crimp/crimp; Professional	a=31, b=13	A0306	N01001A0007	-
J01002F1261	75	RG 62 A/U	crimp/crimp; Standard	a=31, b=13	A0306	N01001A0007	-
J01002L1261	75	RG 62 A/U	crimp/crimp; Basic	a=28, b=13	A2706	N01001A0007	-
J01002M1261	75	RG 62 A/U	crimp/crimp; MIL	a=31, b=13	A0306	N01001A0007	-
J01002A1288	75	G2 (RG-59 B/U)	crimp/crimp; Professional	a=31, b=13	A0206	N01001A0007	UG-1789/U
J01002F1288	75	G2 (RG-59 B/U)	crimp/crimp; Standard	a=31, b=13	A0206	N01001A0007	-
J01002L1288	75	G2 (RG-59 B/U)	crimp/crimp; Basic	a=28, b=13	A2806	N01001A0007	-
J01002M1288	75	G2 (RG-59 B/U)	crimp/crimp; MIL	a=31, b=13	A0206	N01001A0007	-
J01002A1350	75	G13 (0.4/2.5) *	crimp/crimp; Professional	a=31, b=13	A0204	N01001L1274	-
J01002A1352	75	G16 (0.6/3.7D)	crimp/crimp; Professional	a=31, b=13	A0206	N01001A0007	-
J01002F1352	75	G16 (0.6/3.7D)	crimp/crimp; Standard	a=31, b=13	A0206	N01001A0007	-
J01002M1352	75	G16 (0.6/3.7D)	crimp/crimp; MIL	a=31, b=13	A0206	N01001A0007	-
J01002L1352	75	G16 (0.6/3.7D)	crimp/crimp; Basic	a=28, b=13	A2806	N01001A0007	-
J01002A0034	75	G4 (RG-179B/U)	crimp/crimp; Professional	a=30.5, b=11	A2616	N01001A0009	-
J01002A0031	75	G35 (0.8/3.7-7.3)	crimp/crimp; Professional	a=31.5, b=13.5	A0208	N01001J1274	-
J01002B1352	75	RG-71B/U	crimp/crimp; Standard	a=31, b=13	A0306	N01001A0007	-
J01002A0010	75	G40 (1.2/4.9)	crimp/crimp; Professional	a=31, b=13	A0207	N01001A0004	-
J01002A0016	75	G39 (0.8/3.7-6.15)	crimp/crimp; Standard	a=31, b=13	A0206	N01001A0007	-
J01002A0018	75	G41 (0.6/2.8-4.7)	crimp/crimp; HDTV/DTV ≥ 23 dB / 3 GHz; Professional	a=31, b=13	A3227	N01001A0039	-
J01002A0019	75	G15 (0.5/2.95)	crimp/crimp; Professional	a=31, b=13	A0205	N01001A0005	-

*) also suitable for the following cables: 02YS (ST) CH 0.45/2.0-3.4 Leoni; 02Y (ST) CH 0.45/2.0-3.4 Bedea; 02Y (ST) CY 0.45/2.0-3.4 Siemens; 2.5C-2V; NCX1 391300 0.53/2.45-3.6 Filotex; RG-180B/U; RG-195A/U

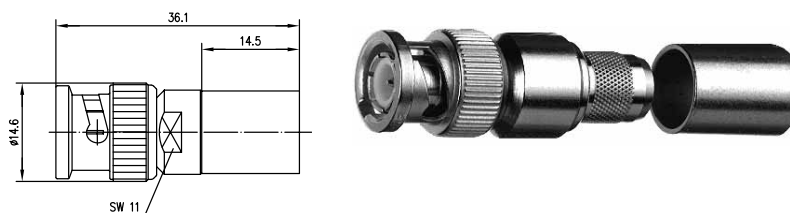
*) auch passend für folgende Kabel: 02YS (ST) CH 0.45/2.0-3.4 Leoni; 02Y (ST) CH 0.45/2.0-3.4 Bedea; 02Y (ST) CY 0.45/2.0-3.4 Siemens; 2.5C-2V; NCX1 391300 0.53/2.45-3.6 Filotex; RG-180B/U; RG-195A/U

BNC Straight Plug Crimp
BNC-Kabelstecker Crimp

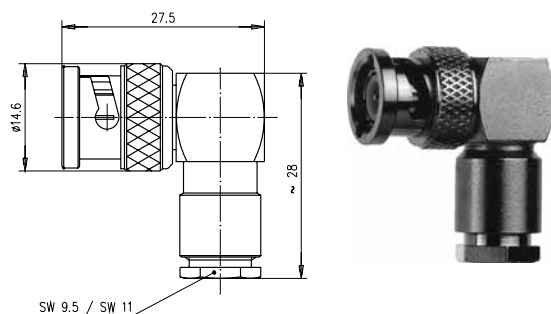
Order no. Bestell-Nr.	Z	Cable group; cable Kabelgruppe; Kabel	Remarks Anmerkungen	Assembly Montage	Crimp die Crimpeinsatz
J01000B0018	50	G3 (RG-178B/U)	crimp/crimp; Professional	A2913	N01001A0010
J01000A1294	50	G7 (RG-316/U); G29 (0.45/1.4)	crimp/crimp; Professional	A2903	N01001A0009
J01000L1294	50	G7 (RG-316/U); G29 (0.45/1.4)	crimp/crimp; Basic	A2903	N01001A0009
J01000B0022	50	G8 (RD-316)	crimp/crimp; Professional	A2914	N01001A0014
J01000D1293	50	G14 (0.5/2.0-4.6)	crimp/crimp; Professional	A3005	N01001A0005
J01002A5032	75	G4 (RG-179B/U)	crimp/crimp; Professional	A2903	N01001A0009
J01002L5032	75	G4 (RG-179B/U)	crimp/crimp; Basic	A2903	N01001A0009
J01002B0037	75	G12 (0.315/1.95-3.7)	crimp/crimp; Professional	A3004	N01001L1274
J01002B0026	75	G19 (PSF 1/7M)	crimp/crimp; Professional	A2903	N01001A0009
J01002A0052	75	0.45L/1.9-2.9 VMM5x75Y; 0.41/1.9 AF	crimp/crimp; Professional	A3004	N01001L1274



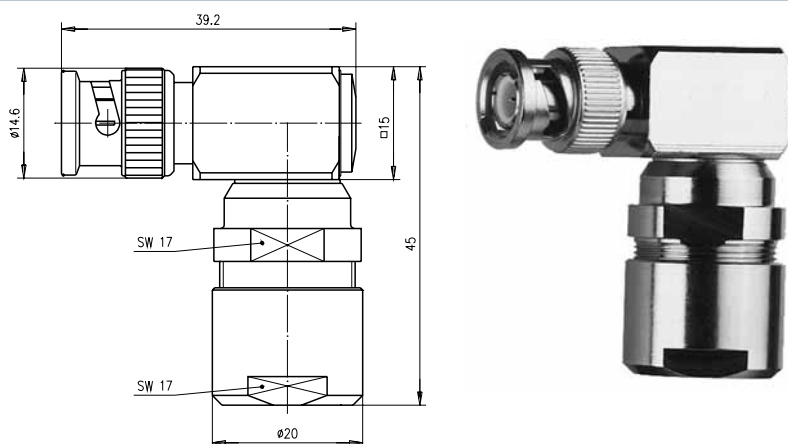
Order no. Bestell-Nr.	Z	Cable group; cable Kabelgruppe; Kabel	Remarks Anmerkungen	Assembly Montage	Crimp die Crimpeinsatz
J01000A0016	50	1.5D-2V	crimp/crimp; Standard; Low cost type f < 500 MHz	A2505	N01001A0005
J01000A0040	50	G7 (RG-316/U)	crimp/crimp; Standard; Low cost type f < 500 MHz	A2505	N01001A0005
J01002A0036	75	G4 (RG-179B/U)	crimp/crimp; Standard	A2505	N01001A0005



Order no. Bestell-Nr.	Z	Cable group; cable Kabelgruppe; Kabel	Remarks Anmerkungen	Assembly Montage	Crimp die Crimpeinsatz
J01000A0059	50	RG 213/U	crimp/crimp; Professional	A3312	N01001D1274
J01000A0063	50	G42 (2.7/7.1); AA-58886	crimp/crimp; outer conductor Telealloy crimp/crimp; Außenleiter Telealloy	A3326	N01001A0030
J01000A0060	50	RG 214/U; RG 393/U	crimp/crimp; Professional	A3312	N01001D1274
J01000A0061	50	G37 (2.7/7.25)	crimp/crimp; Professional	A3326	N01001A0030
J01002A0046	75	G31 (RG-11A/U)	crimp/crimp; Professional	A3318	N01001A0011
J01002A0047	75	G32 (RG-216/U)	crimp/crimp; Professional	A3318	N01001A0011



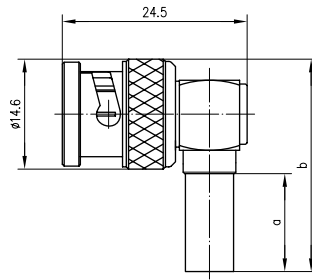
Order no. Bestell-Nr.	Z Z	Cable group; cable Kabelgruppe; Kabel	Remarks Anmerkungen	Assembly Montage	MIL-Std. MIL-Std.
J01000A0005	50	G3 (RG-178B/U)	pressure sleeve Druckverschraubung	A07	-
J01000A0006	50	G7 (RG- 316/U)	pressure sleeve Druckverschraubung	A07	-
J01000A0007	50	G1 (RG-58C/U); G5 (RG-223/U) RG-141A/U; RG-142B/U; 1.0/2.95 AF	MIL-clamp MIL-Verschraubung	A06	-
J01000A0805	50	G1 (RG-58C/U); 1.0/2.95 AF; RG-141A/U; RG-142B/U	pressure sleeve Druckverschraubung	A06	UG-913/U
J01002A0003	75	G2 (RG-59B/U)	MIL-clamp MIL-Verschraubung	A06	-
J01002A1217	75	G2 (RG-59B/U)	pressure sleeve Druckverschraubung	A06	-
J01002A1316	75	RG-62A/U	pressure sleeve Druckverschraubung	A06	-



Order no. Bestell-Nr.	Z Z	Cable group; cable Kabelgruppe; Kabel	Remarks Anmerkungen	Assembly Montage
J01000A0029	50	RG-214/U; RG-216/U; RG-393/U	pressure sleeve Druckverschraubung	D04
J01000A1195	50	G42 (2.7/7.1); RG-213/U; AA 5886	pressure sleeve Druckverschraubung	D04

BNC Angle Plug Crimp

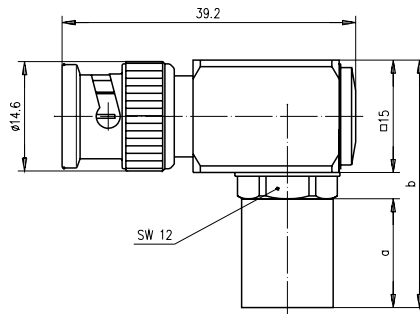
BNC-Kabelwinkelstecker Crimp



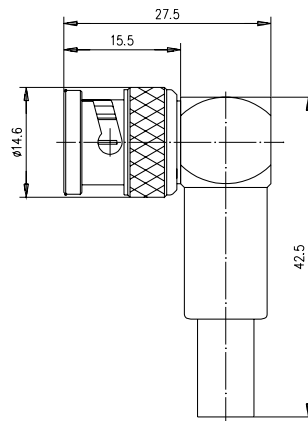
Order no. Bestell-Nr.	Z Z	Cable group; cable Kabelgruppe; Kabel	Remarks Anmerkungen	Dimensions Abmessungen	Assembly Montage	Crimp die Crimpeinsatz
J01000A0010	50	G7 (RG-316/U)	solder/crimp löt/crimp	a=9.5, b=24.7	A0503	N01001A0009
J01000A0033	50	G8 (RD-316)	solder/crimp löt/crimp	a=9.5, b=24.7	A0520	N01001A0014
J01000A1257	50	G1 (RG-58C/U)	solder/crimp löt/crimp	a=13, b=28.2	A0505	N01001A0005
J01000A1258	50	G5 (RG-223/U)	solder/crimp löt/crimp	a=13.5, b=28.7	A0505	N01001A0005
J01000A0054	50	G30 (1.5/3.8); LMR-240	solder/crimp löt/crimp	a=13, b=28.2	A0506	N01001A0007
J01000A0052	50	3D-2V	solder/crimp löt/crimp	a=13, b=28.2	A0505	N01001A0005
J01002A0027	75	G4 (RG-179B/U)	solder/crimp löt/crimp	a=9.5, b=24.7	A0503	N01001A0009
J01002A0029	75	G13 (0.4/2.5) *)	solder/crimp löt/crimp	a=13, b=28.2	A0504	N01001L1274
J01002A1356	75	G2 (RG-59B/U)	solder/crimp löt/crimp	a=13, b=28.2	A0506	N01001A0007
J01002B1356	75	G2 (RG-59B/U)	solder/crimp with screw cap löt/crimp mit Schraubkappe	a=13, b=28.2	A0506	N01001A0007
J01002A0042	75	G12 (0.315/1.95-3.7)	solder/crimp löt/crimp	a=13, b=28.2	A0504	N01001L1274
J01002A0045	75	BT 2002	solder/crimp löt/crimp	a=13, b=28.2	A0505	N01001A0005
J01002A0021	75	G15 (0.5/2.95)	solder/crimp löt/crimp	a=13, b=28.2	A0505	N01001A0005

*) also suitable for the following cables: 02YS (ST) CH 0.45/2.0-3.4 Leoni; 02Y (ST) CH 0.45/2.0-3.4 Bedea; 02Y (ST) CY 0.45/2.0-3.4 Siemens; 2.5C-2V; NCX1 391300 0.53/2.45-3.6 Filotex; RG-180B/U; RG-195A/U

*) auch passend für folgende Kabel: 02YS (ST) CH 0.45/2.0-3.4 Leoni; 02Y (ST) CH 0.45/2.0-3.4 Bedea; 02Y (ST) CY 0.45/2.0-3.4 Siemens; 2.5C-2V; NCX1 391300 0.53/2.45-3.6 Filotex; RG-180B/U; RG-195A/U



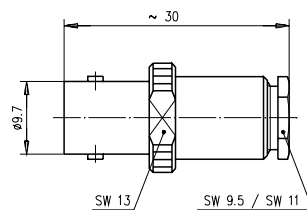
Order no. Bestell-Nr.	Z	Cable group; cable Kabelgruppe; Kabel	Remarks Anmerkungen	Dimensions Abmessungen	Assembly Montage	Crimp die Crimpeinsatz
J01000A0030	50	G42 (2.7/7.1); RG-213/U; AA 5886	solder/crimp löt/crimp	a=14.5, b=33	D0512	N01001D1274
J01000A0031	50	RG-214/U; RG-393/U	solder/crimp löt/crimp	a=13, b=31.5	D0512	N01001D1274



Order no. Bestell-Nr.	Z	Cable group; cable Kabelgruppe; Kabel	Remarks Anmerkungen	Assembly Montage	Crimp die Crimpeinsatz
J01000A0024	50	G1 (RG-58C/U)	crimp/crimp	A0605	N01001A0005
J01002A1266	75	RG-62A/U	crimp/crimp	A0706	N01001A0007
J01002A1354	75	G16 (0.6/3.7D)	crimp/crimp	A0606	N01001A0007
J01002A1377	75	G2 (RG-59B/U)	crimp/crimp	A0606	N01001A0007

**BNC Straight Jack
BNC-Kabelbuchse**

1.5

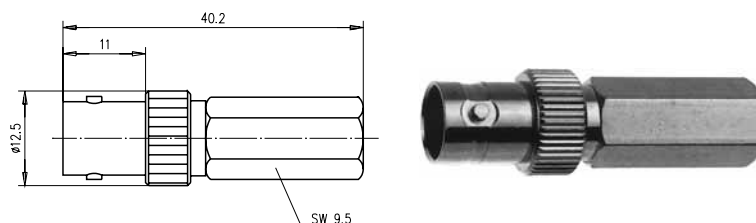


Order no. Bestell-Nr.	Z	Cable group; cable Kabelgruppe; Kabel	Remarks Anmerkungen	Assembly Montage	MIL-Std.
J01001A0033	50	G3 (RG-178B/U)	pressure sleeve Druckverschraubung	A09	-
J01001A0032	50	G7 (RG-316/U)	pressure sleeve Druckverschraubung	A09	-

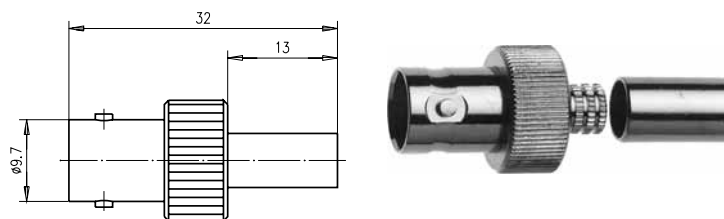
1.5

BNC Straight Jack
BNC-Kabelbuchse

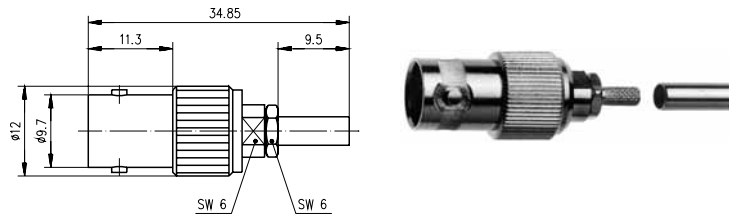
Order no. Bestell-Nr.	Z	Cable group; cable Kabelgruppe; Kabel	Remarks Anmerkungen	Assembly Montage	MIL-Std. MIL-Std.
J01001A0804	50	G1 (RG-58C/U)	pressure sleeve Druckverschraubung	A08	UG-89/U
J01001A1226	50	G1 (RG-58C/U); G5 (RG-223/U); RG-141A/U; RG-142B/U; 1.0/2.95 AF	MIL-clamp MIL-Verschraubung	A10	UG-89B/U
J01003A0011	75	G2 (RG-59B/U)	MIL-clamp MIL-Verschraubung	A10	UG-261B/U
J01003A0014	75	G4 (RG-179B/U)	pressure sleeve Druckverschraubung	A09	-
J01003A1227	75	G2 (RG-59B/U)	pressure sleeve Druckverschraubung	A08	UG-261/U
J01003A1320	75	RG-62A/U	MIL-clamp MIL-Verschraubung	A10	-



Order no. Bestell-Nr.	Z	Cable group; cable Kabelgruppe; Kabel	Remarks Anmerkungen	Assembly Montage
J01003A0020	75	G2 (RG-59B/U); RG-62A/U	Twist on	A13

BNC Straight Jack Crimp
BNC-Kabelbuchse Crimp

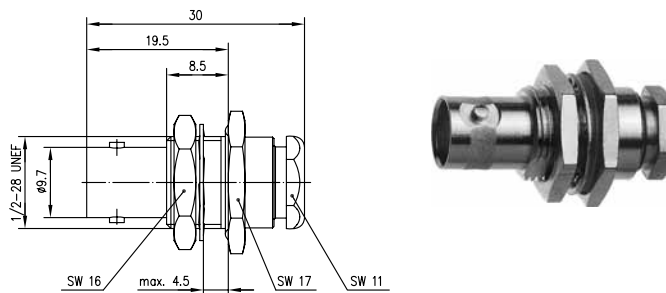
Order no. Bestell-Nr.	Z	Cable group; cable Kabelgruppe; Kabel	Remarks Anmerkungen	Assembly Montage	Crimp die Crimpeinsatz	MIL-Std. MIL-Std.
J01001A1265	50	G1 (RG-58C/U)	crimp/crimp	A0805	N01001A0005	UG-1794/U
J01001A1287	50	G5 (RG-223/U)	crimp/crimp	A0805	N01001A0005	-
J01001A0073	50	G30 (1.5/3.8); LMR-240	crimp/crimp	A0806	N01001A0007	-
J01003A1262	75	RG-62A/U	crimp/crimp	A0906	N01001A0007	-
J01003A1353	75	G16 (0.6/3.7D)	crimp/crimp	A0806	N01001A0007	-
J01003A1369	75	G2 (RG-59B/U)	crimp/crimp	A0806	N01001A0007	-
J01003A0031	75	G13 (0.4/2.5)	crimp/crimp	A0804	N0100111274	-
J01003A0048	75	G41 (0.6/2.8-4.7)	crimp/crimp	A0805	N01001A0005	-



Order no. Bestell-Nr.	Z	Cable group; cable Kabelgruppe; Kabel	Remarks Anmerkungen	Assembly Montage	Crimp die Crimpeinsatz
J01001B0060	50	G3 (RG-178B/U)	crimp/crimp	A2913	N01001A0010
J01001B0005	50	G7 (RG-316/U)	crimp/crimp	A2903	N01001A0009
J01001B0061	50	G8 (RD-316)	crimp/crimp	A2914	N01001A0014
J01003A0041	75	G12 (0.315/1.95-3.7)	crimp/crimp	A2904	N01001L1274

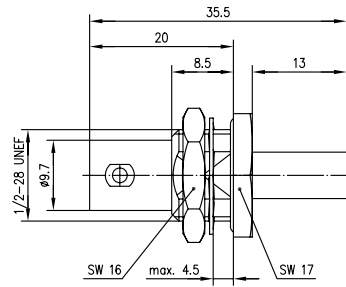
**BNC Bulkhead Jack
BNC-Kabeleinbaubuchse**

1.7



Order no. Bestell-Nr.	Z	Cable group; cable Kabelgruppe; Kabel	Remarks Anmerkungen	Mount. dim. Einbaumaß	Assembly Montage	MIL-Std. MIL-Std.
J01001A1319	50	G3 (RG-178B/U)	pressure sleeve IP 54 Druckverschraubung IP 54	Z04	A04	
J01001A1318	50	G7 (RG-316/U)	pressure sleeve IP 54 Druckverschraubung IP 54	Z04	A04	
J01001A1223	50	G1 (RG-58C/U); G5 (RG-223/U); RG-141A/U; RG-142B/U; 1.0/2.95 AF	MIL-clamp IP 54 MIL-Verschraubung IP 54	Z04	A11	UG-909/U
J01001A0051	50	G11 (UT-85)	MIL-clamp IP 54 MIL-Verschraubung IP 54	Z04	A15	-
J01001A0052	50	G10 (UT-141)	MIL-clamp IP 54 MIL-Verschraubung IP 54	Z04	A15	-
J01003A1327	75	G4 (RG-179B/U)	pressure sleeve IP 54 Druckverschraubung IP 54	Z04	A04	-
J01003A1224	75	G2 (RG-59B/U)	MIL-clamp IP 54 MIL-Verschraubung IP 54	Z04	A11	UG-910 B/U
J01003A1328	75	RG-62A/U; RG-71B/U	pressure sleeve IP 54 Druckverschraubung IP 54	Z04	A11	-
B00031D1275			insulators, colour: transparent Isolierscheibe, Farbe: natur			

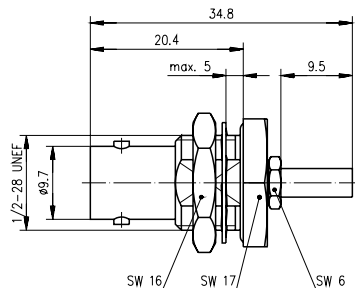
BNC Bulkhead Jack Crimp BNC-Kabeleinbaubuchse Crimp



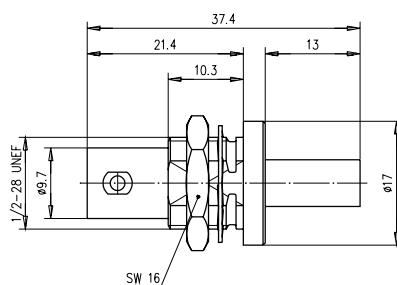
Order no. Bestell-Nr.	Z	Cable group; cable Kabelgruppe; Kabel	Remarks Anmerkungen	Mount. dim. Einbaumaß	Assembly Montage	Crimp die Crimpeinsatz
J01001A1379	50	G1 (RG-58C/U)	crimp/crimp	Z04	A1105	N01001A0005
J01001A0034	50	G5 (RG-223/U)	crimp/crimp	Z04	A1105	N01001A0005
J01001A0087	50	3D-2V	crimp/crimp	Z04	A1105	N01001A0005
J01003A1260	75	RG-62A/U	crimp/crimp	Z04	A1206	N01001A0007
J01003A1348	75	G2 (RG-59B/U)	crimp/crimp	Z04	A1106	N01001A0007
J01003A0035	75	G13 (0.4/2.5) *	crimp/crimp	Z04	A1104	N01001L1274
J01003A1361	75	G16 (0.6/3.7D)	crimp/crimp	Z04	A1106	N01001A0007
J01003A0042	75	BT 2002	crimp/crimp	Z04	A1105	N01001A0005

*) also suitable for the following cables: 02YS (ST) CH 0.45/2.0-3.4 Leoni; 02Y (ST) CH 0.45/2.0-3.4 Bedea; 02Y (ST) CY 0.45/2.0-3.4 Siemens; 2.5C-2V; NCX1 391300 0.53/2.45-3.6 Filotex; RG-180B/U; RG-195A/U

*) auch passend für folgende Kabel: 02YS (ST) CH 0.45/2.0-3.4 Leoni; 02Y (ST) CH 0.45/2.0-3.4 Bedea; 02Y (ST) CY 0.45/2.0-3.4 Siemens; 2.5C-2V; NCX1 391300 0.53/2.45-3.6 Filotex; RG-180B/U; RG-195A/U

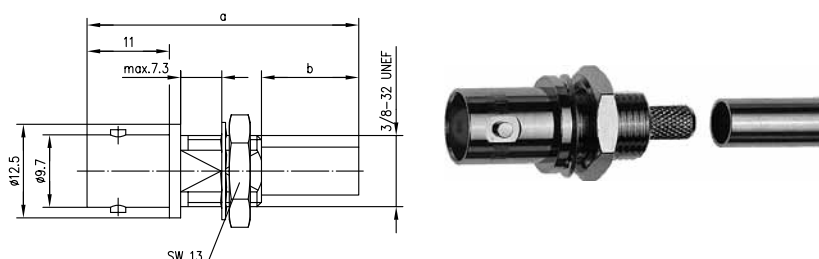


Order no. Bestell-Nr.	Z	Cable group; cable Kabelgruppe; Kabel	Remarks Anmerkungen	Mount. dim. Einbaumaß	Assembly Montage	Crimp die Crimpeinsatz
J01001B0059	50	G3 (RG-178B/U)	crimp/crimp	Z04	A2913	N01001A0010
J01001C0028	50	G7 (RG-316/U)	crimp/crimp	Z04	A2903	N01001A0009
J01001C0045	50	G8 (RD-316)	crimp/crimp	Z04	A2914	N01001A0014
J01003B5032	75	G4 (RG-179B/U)	crimp/crimp	Z04	A2903	N01001A0009
J01003B0015	75	G12 (0.315/1.95-3.7)	crimp/crimp	Z04	A2904	N01001L1274



Order no. Bestell-Nr.	Z	Cable group; cable Kabelgruppe; Kabel	Remarks Anmerkungen	Mount. dim. Einbaumaß	Assembly Montage	Crimp die Crimpeinsatz
J01001A0056	50	G1 (RG-58C/U)	crimp/crimp; insulating flange crimp/crimp; Isolierflansch	Z04	A1305	N01001A0005
J01001A0084	50	G5 (RG-223/U)	crimp/crimp; insulating flange crimp/crimp; Isolierflansch	Z04	A1305	N01001A0005

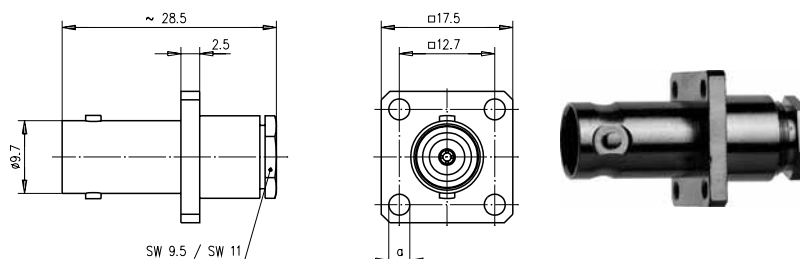
Order no. Bestell-Nr.	Z Z	Cable group; cable Kabelgruppe; Kabel	Remarks Anmerkungen	Mount. dim. Einbaumaß	Assembly Montage	Crimp die Crimpeinsatz
J01003A0001	75	G2 (RG-59B/U)	crimp/crimp; insulating flange crimp/crimp; Isolierflansch	Z04	A1306	N01001A0007
J01003A0002	75	RG-62A/U	crimp/crimp; insulating flange crimp/crimp; Isolierflansch	Z04	A1406	N01001A0007
J01003A0003	75	G16 (0.6/3.7D)	crimp/crimp; insulating flange crimp/crimp; Isolierflansch	Z04	A1306	N01001A0007



Order no. Bestell-Nr.	Z Z	Cable group; cable Kabelgruppe; Kabel	Remarks Anmerkungen	Dimensions Abmessungen	Mount. dim. Einbaumaß	Assembly Montage	Crimp die Crimpeinsatz
J01001A0078	50	G1 (RG-58C/U)	crimp/crimp	a=36.3, b=13	Z01	A1305	N01001A0005
J01001A0083	50	G5 (RG-223/U)	crimp/crimp	a=36.8, b=13.5	Z01	A1305	N01001A0005
B00031D1275			insulators, colour: transparent Isolierscheibe, Farbe: natur				

**BNC Panel Jack
BNC-Kabeleinbaubuchse mit Flansch**

1.9

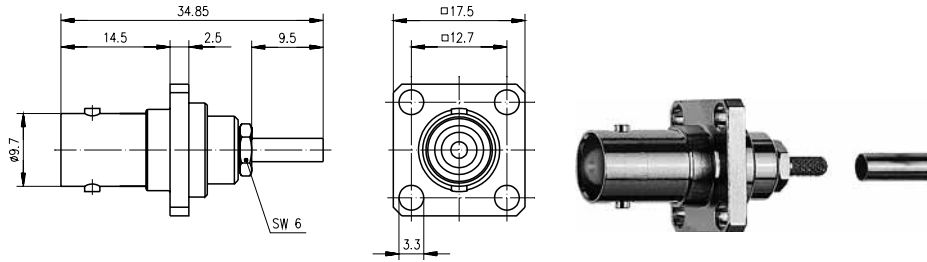


Order no. Bestell-Nr.	Z Z	Cable group; cable Kabelgruppe; Kabel	Remarks Anmerkungen	Dimensions Abmessungen	Mount. dim. Einbaumaß	Assembly Montage	MIL-Std. MIL-Std.
J01001A0036	50	G3 (RG-178B/U)	pressure sleeve IP 54 Druckverschraubung IP 54	a=3-56"=M2.5	Z05	A09	-
J01001A0014	50	G7 (RG-316/U)	pressure sleeve IP 54 Druckverschraubung IP 54	a=∅2.8	Z05	A09	-
J01001A0035	50	G7 (RG-316/U)	pressure sleeve IP 54 Druckverschraubung IP 54	a=3-56"=M2.5	Z05	A09	-
J01001A0611	50	G1 (RG-58C/U); G5 (RG-223/U); 1.0/2.95 AF	MIL-clamp IP 54 MIL-Verschraubung IP 54	a=3-56"=M2.5	Z05	A10	UG-291 B/U
J01001A0695	50	G1 (RG-58C/U); 1.0/2.95 AF	pressure sleeve IP 54 Druckverschraubung IP 54	a=∅3.2	Z05	A10	-
J01003A0012	75	G2 (RG-59B/U); RG-62A/U	MIL-clamp IP 54 MIL-Verschraubung IP 54	a=3-56"=M2.5	Z05	A10	UG-262 B/U
J01003A0013	75	G4 (RG-179B/U)	pressure sleeve IP 54 Druckverschraubung IP 54	a=3-56"=M2.5	Z05	A09	-

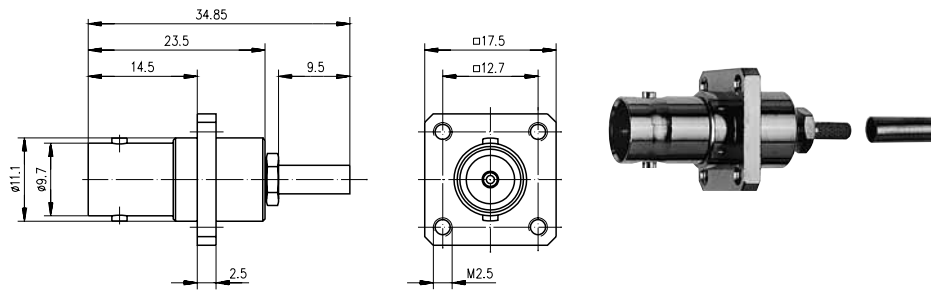
1.9

BNC Panel Jack

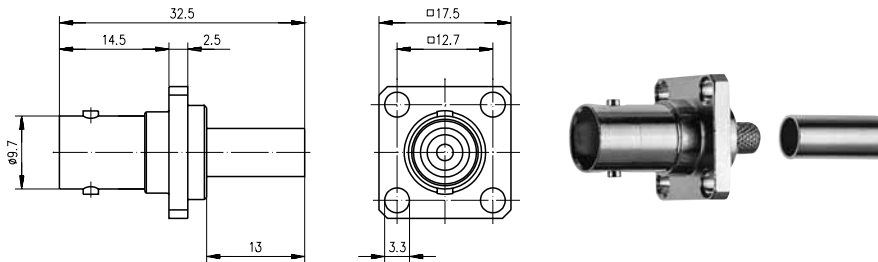
BNC-Kabeleinbaubuchse mit Flansch



Order no.	Z	Cable group; cable	Mount. dim.	Assembly
Bestell-Nr.	Z	Kabelgruppe; Kabel	Einbaumaß	Montage
J01001B0041	50	G7 (RG-316/U)	Z54	A2903
J01003B0019	75	G4 (RG-179B/U)	Z54	A2903



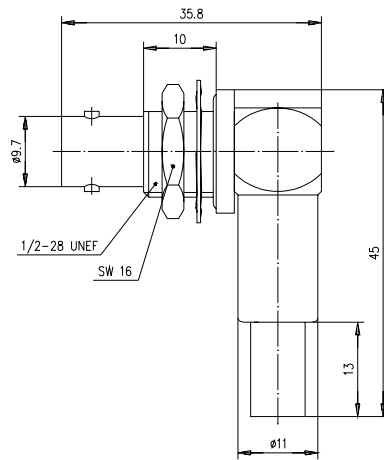
Order no.	Z	Cable group; cable	Mount. dim.	Assembly
Bestell-Nr.	Z	Kabelgruppe; Kabel	Einbaumaß	Montage
J01001A0088	50	G7 (RG-316/U)	Z05/Z54	A2903
J01003B0029	75	G4 (RG-179B/U)	Z05	A2903



Order no.	Z	Cable group; cable	Mount. dim.	Assembly
Bestell-Nr.	Z	Kabelgruppe; Kabel	Einbaumaß	Montage
J01001A0079	50	G1 (RG-58C/U)	Z54	A1005
J01001A0080	50	G5 (RG-223/U)	Z54	A1005

**BNC Angle Bulkhead Jack Crimp
BNC-Kabelwinkeleinbaubuchse Crimp**

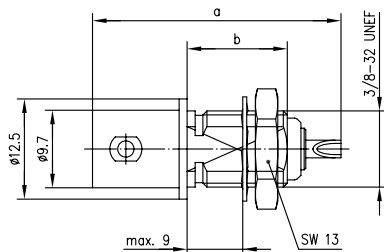
1.10



Order no. Bestell-Nr.	Z	Cable group; cable Kabelgruppe; Kabel	Mount. dim. Einbaumaß	Assembly Montage	Crimp die Crimpeinsatz
J01001A0055	50	G1 (RG-58C/U)	Z04	A0605	N01001A0005
J01001A0085	50	G5 (RG-223/U)	Z04	A0605	N01001A0005
J01003A1370	75	RG-62A/U	Z04	A0706	N01001A0007
J01003A0036	75	G16 (0.6/3.7 D)	Z04	A0706	N01001A0007
J01003A1371	75	G2 (RG-59B/U)	Z04	A0706	N01001A0007
B00031D1275		insulators, colour: transparent Isolierscheibe, Farbe: natur			

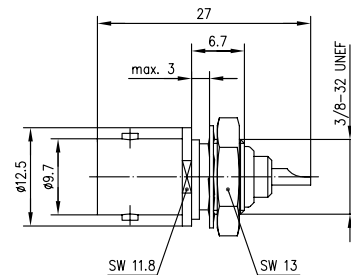
**BNC Bulkhead Socket
BNC-Einbaubuchse**

1.11

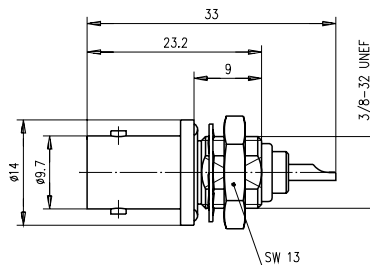


Order no. Bestell-Nr.	Z	Remarks Anmerkungen	Dimensions Abmessungen	Mount. dim. Einbaumaß	MIL-Std. MIL-Std.
J01001B0615	50	inner conductor silver plated Innenleiter versilbert	a=27, b=6.5	Z01	UG-1094/U
J01001A0053	50	inner conductor gold plated Innenleiter vergoldet	a=27, b=6.5	Z01	-
J01001A0615	50		a=31, b=12.5	Z01	UG-1094B/U
J01003A0619	75		a=27, b=6.5	Z01	-
J01003A1218	75		a=31, b=12.5	Z01	-

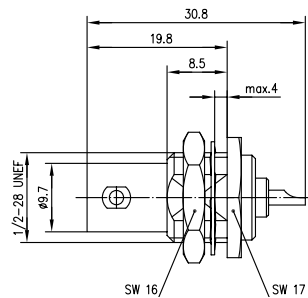
1.11

BNC Bulkhead Socket
BNC-Einbaubuchse

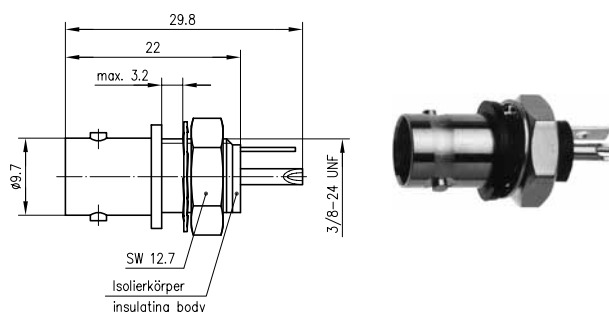
Order no.	Z	Mount. dim.	MIL-Std.
Bestell-Nr.	Z	Einbaumaß	MIL-Std.
J01001A1219	50	Z03	UG-625B/U
J01003A1220	75	Z03	-



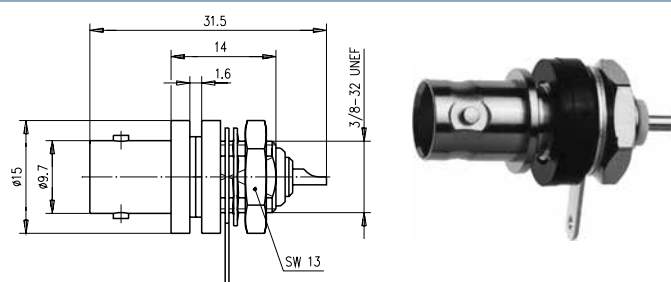
Order no.	Z	Remarks	Mount. dim.	MIL-Std.
Bestell-Nr.	Z	Anmerkungen	Einbaumaß	MIL-Std.
J01001A0614	50	with panel seal mit Dichtring	Z02	UG-657/U
J01003A1221	75	with panel seal mit Dichtring	Z02	-



Order no.	Z	Mount. dim.
Bestell-Nr.	Z	Einbaumaß
J01001A1225	50	Z04
J01003A0027	75	Z04

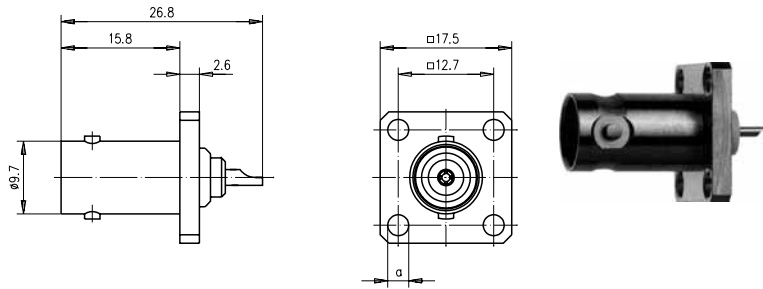


Order no. Bestell-Nr.	Z	Remarks Anmerkungen	Mount. dim. Einbaumaß
J01001A0043	50	with white insulating flange mit Isolierflansch weiß	Z01
J01001B0043	50	with blue insulating flange mit Isolierflansch blau	Z01
J01001C0043	50	with red insulating flange mit Isolierflansch rot	Z01
J01001D0043	50	with black insulating flange mit Isolierflansch schwarz	Z01



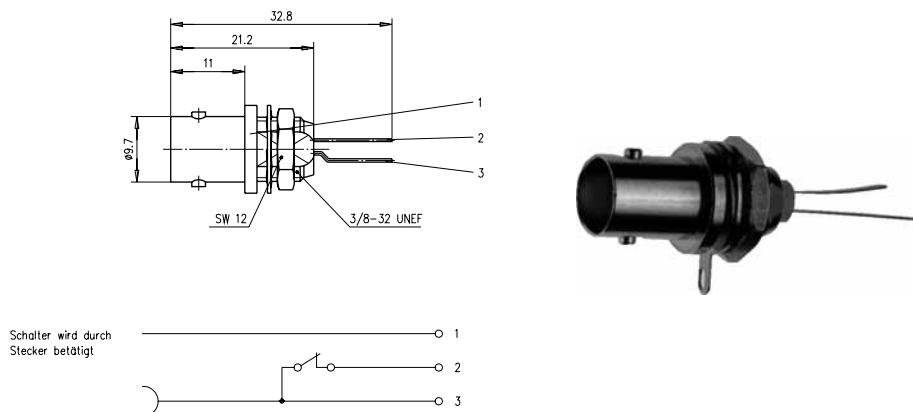
Order no. Bestell-Nr.	Z	Remarks Anmerkungen	Mount. dim. Einbaumaß
J01001A1222	50	with black insulating washers mit Isolierscheiben schwarz	Z03
J01001B1222	50	with white insulating washers mit Isolierscheiben weiß	Z03
J01001C1222	50	with red insulating washers mit Isolierscheiben rot	Z03
J01001D1222	50	with blue insulating washers mit Isolierscheiben blau	Z03
J01001F1222	50	with green insulating washers mit Isolierscheiben grün	Z03
J01003A1286	75	with black insulating washers mit Isolierscheiben schwarz	Z03
J01003B1286	75	with white insulating washers mit Isolierscheiben weiß	Z03
J01003C1286	75	with red insulating washers mit Isolierscheiben rot	Z03
J01003D1286	75	with blue insulating washers mit Isolierscheiben blau	Z03
J01003E1286	75	with green insulating washers mit Isolierscheiben grün	Z03

1.13

BNC Panel Socket
BNC-Einbaubuchse mit Flansch

Order no. Bestell-Nr.	Z	Dimensions Abmessungen	Mount. dim. Einbaumaß	MIL-Std. MIL-Std.
J01001A0612	50	a=∅2.8	Z05	-
J01001A0613	50	a=3-56" = M 2.5	Z05	UG-290/U
J01001A0698	50	a=∅3.2	Z05	-
J01003A1228	75	a=3-56" = M 2.5	Z05	-
J01003A1937	75	a=∅3.2	Z05	-

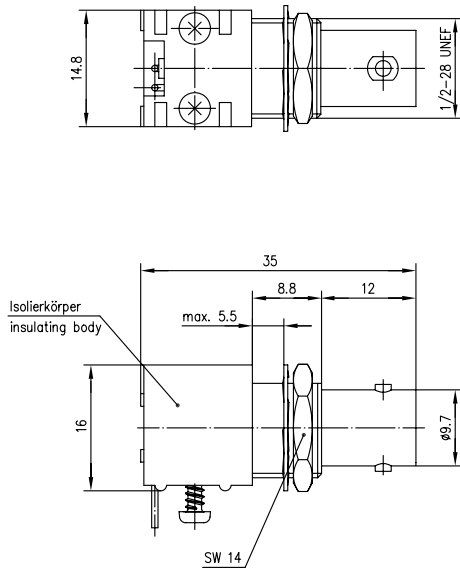
1.14

BNC Bulkhead Receptacle with Switch
BNC-Einbaubuchse mit Schalter

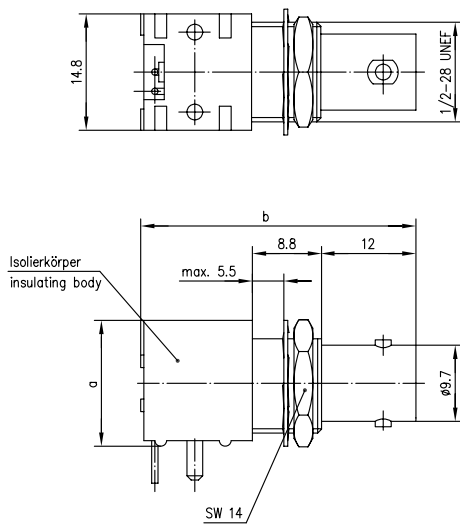
Order no. Bestell-Nr.	Remarks Anmerkungen	Mount. dim. Einbaumaß
J01001A0042	Switch opened when connector engaged Schalter wird durch Stecken betätigt	Z01/Z57

BNC Bulkhead Receptacle, for Printed Circuits, insulated
BNC-Einbaubuchse für gedruckte Schaltungen, isolierter Einbau

1.15



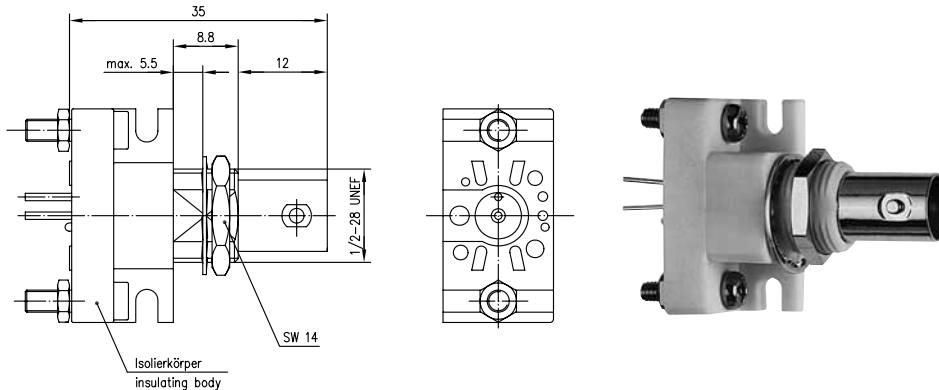
Order no.	Z	Remarks	Mount. dim.
Bestell-Nr.	Z	Anmerkungen	Einbaumaß
J01001A0037	50	without fixing pins with fastening screws, solder pin 90° ohne Fixierstifte mit Befestigungsschrauben, Lötpin 90°	Z04/Z34



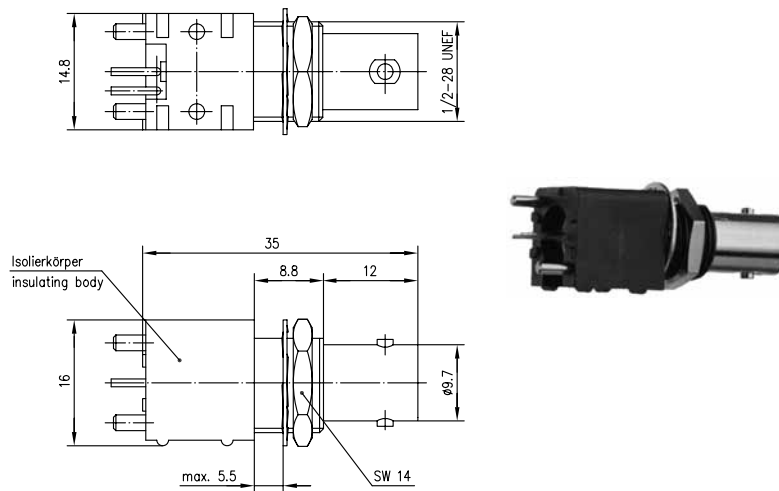
Order no.	Z	Remarks	Dimensions	Mount. dim.
Bestell-Nr.	Z	Anmerkungen	Abmessungen	Einbaumaß
J01001A0038	50	with fixing pins without fastening screws Mit Fixierstiften ohne Befestigungsschrauben, Lötpin 90°	a=16, b=35	Z04/Z34
J01001F0000	50	with fixing pins without fastening screws Mit Fixierstiften ohne Befestigungsschrauben, Lötpin 90°	a=13, b=34.5	Z04/Z34

1.15

BNC Bulkhead Receptacle, for Printed Circuits, insulated BNC-Einbaubuchse für gedruckte Schaltungen, isolierter Einbau



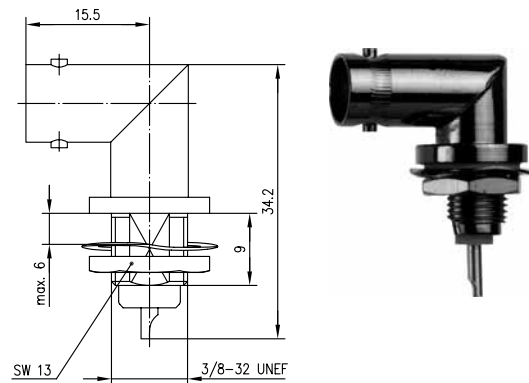
Order no. Bestell-Nr.	Z	Remarks Anmerkungen	Mount. dim. Einbaumaß
J01001A0040	50	with fastening screws, solder pin straight mit Befestigungsschrauben, Lötpin gerade	Z04/Z33



Order no. Bestell-Nr.	Z	Remarks Anmerkungen	Mount. dim. Einbaumaß
J01001F0002	50	with fixing pins, solder pin straight mit Fixierstiften, Lötpin gerade	Z04/Z42

BNC Angle Bulkhead Socket
BNC-Winkeleinbaubuchse

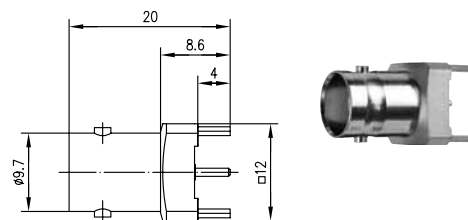
1.16



Order no.	Z	Mount. dim.	MIL-Std.
Bestell-Nr.	Z	Einbaumaß	MIL-Std.
J01001A1235	50	Z01	UG-1098/U

BNC Receptacle, female, for Printed Circuits
BNC-Buchse für gedruckte Schaltungen

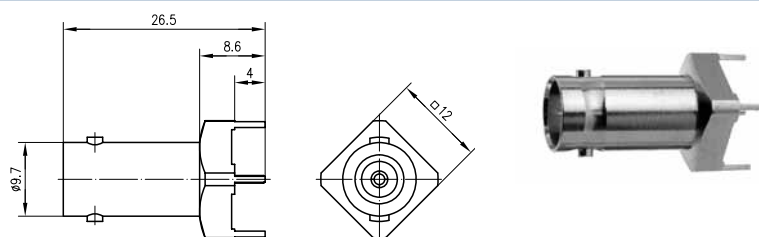
1.17



Order no.	Z	Mount. dim.
Bestell-Nr.	Z	Einbaumaß
J01001A1944	50	Z06
J01003A1946	75	Z06

Other lengths on request.

[Andere Längen auf Anfrage.](#)



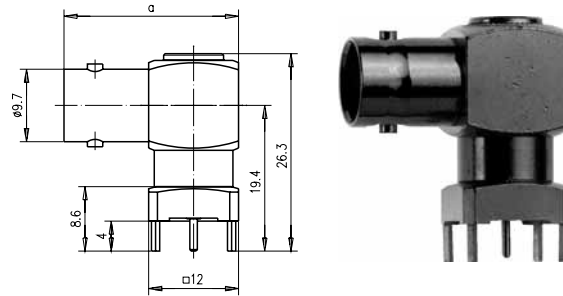
Order no.	Z	Mount. dim.
Bestell-Nr.	Z	Einbaumaß
J01001A1945	50	Z06
J01003A1947	75	Z06

Other lengths on request.

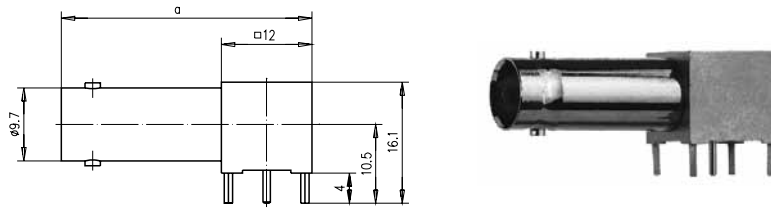
[Andere Längen auf Anfrage.](#)

BNC Angle Receptacle, female, for Printed Circuits

BNC-Winkelbuchse für gedruckte Schaltungen



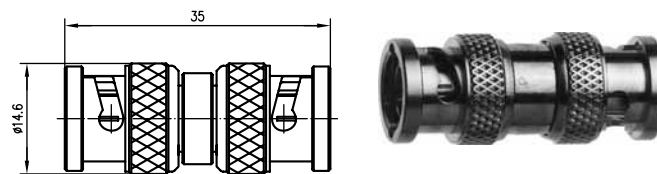
Order no.	Z	Dimensions	Mount. dim.
Bestell-Nr.	Z	Abmessungen	Einbaumaß
J01001A1948	50	a=23	Z06
J01001A0064	50	a=30	Z06
J01003A0018	75	a=30	Z06
J01003A1949	75	a=23	Z06



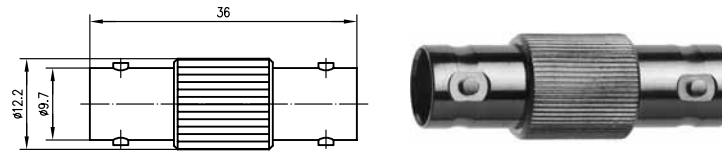
Order no.	Z	Dimensions	Mount. dim.
Bestell-Nr.	Z	Abmessungen	Einbaumaß
J01003A0030	75	a=33.3	Z06

BNC Adaptor

BNC-Kupplung



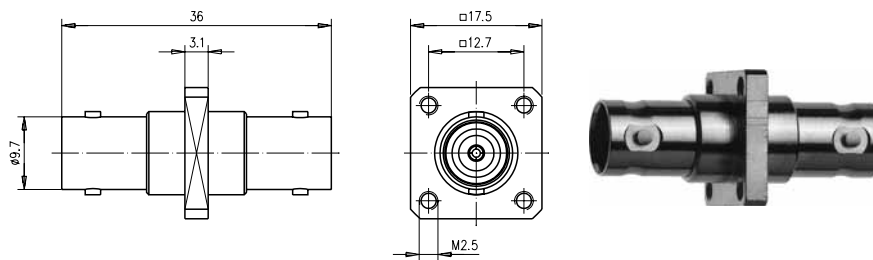
Order no.	Z	Remarks	MIL-Std.
Bestell-Nr.	Z	Anmerkungen	MIL-Std.
J01004A0806	50	m-m Sti-Sti	UG-491A/U
J01005A1230	75	m-m Sti-Sti	



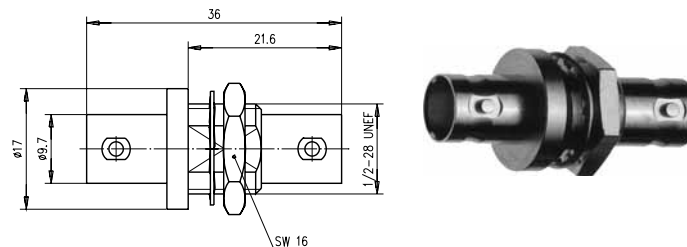
Order no.	Z	Remarks	MIL-Std.
Bestell-Nr.	Z	Anmerkungen	MIL-Std.
J01004A0618	50	f-f Bu-Bu	UG-914/U
J01005A1229	75	f-f Bu-Bu	

**BNC Adaptor for Panel Mounting
BNC-Verbindungsstück**

1.20

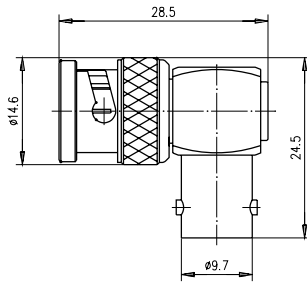


Order no.	Z	Remarks	Mount. dim.	MIL-Std.
Bestell-Nr.	Z	Kabelgruppe; Kabel	Montage	MIL-Std.
J01004A1231	50	f-f Bu-Bu	Z05	UG-414A/U
J01005A1232	75	f-f Bu-Bu	Z05	-



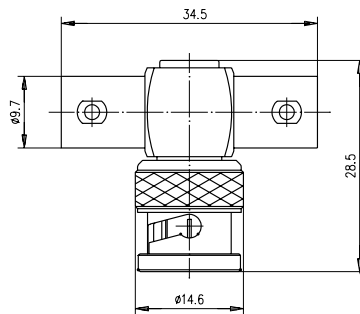
Order no.	Z	Remarks	Mount. dim.	MIL-Std.
Bestell-Nr.	Z	Anmerkungen	Einbaumaß	MIL-Std.
J01004A1233	50	f-f Bu-Bu	Z04	UG-492A/U
J01004A1333	50	f-f insulating flange Bu-Bu Isolierflansch	Z04	-
J01005A1234	75	f-f Bu-Bu	Z04	-
J01005A1334	75	f-f insulating flange Bu-Bu Isolierflansch	Z04	-
B00031D1275	-	insulators, colour: transparent Isolierscheibe, Farbe: natur		

1.21

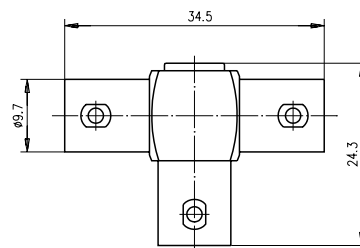
BNC Angle Adaptor
BNC-Winkelverbindungsstück

Order no.	Z	Remarks
Bestell-Nr.	Z	Anmerkungen
J01004A0617	50	m-f Sti-Bu
J01005A1237	75	m-f Sti-Bu

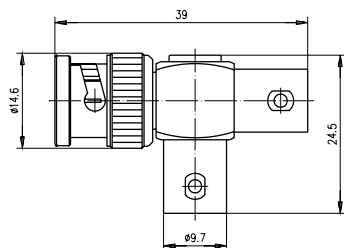
1.22

BNC T Adaptor
BNC-T-Stück

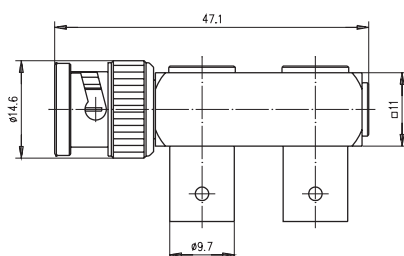
Order no.	Z	Remarks	MIL-Std.
Bestell-Nr.	Z	Anmerkungen	MIL-Std.
J01004C0616	50	f-m-f Bu-Sti-Bu	UG-274A/U
J01004F0616	50	f-m-f; low cost Bu-Sti-Bu; Low Cost	-
J01005A1238	75	f-m-f Bu-Sti-Bu	-



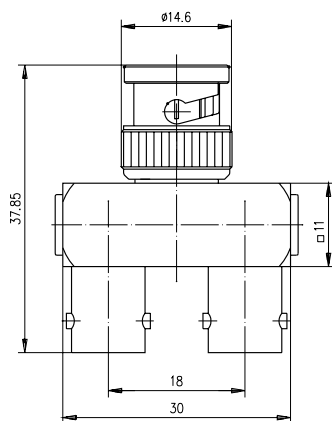
Order no.	Z	Remarks
Bestell-Nr.	Z	Anmerkungen
J01004B0616	50	f-f-f Bu-Bu-Bu



Order no.	Z	Remarks
Bestell-Nr.	Z	Anmerkungen
J01004A0616	50	m-f-f Sti-Bu-Bu
J01005A0004	75	m-f-f Sti-Bu-Bu

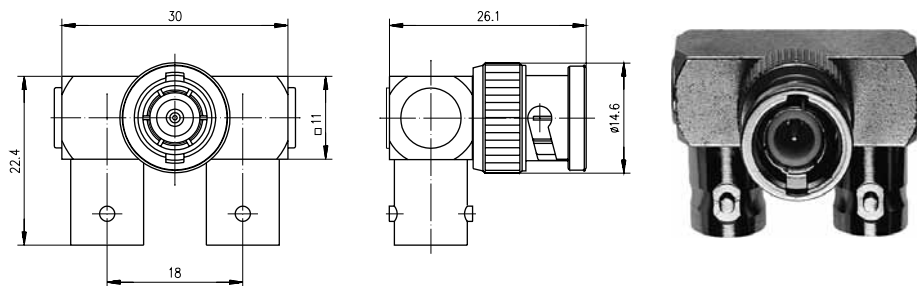


Order no.	Z	Remarks
Bestell-Nr.	Z	Anmerkungen
J01004A0002	50	m-f-f Sti-Bu-Bu
J01005A0003	75	m-f-f Sti-Bu-Bu



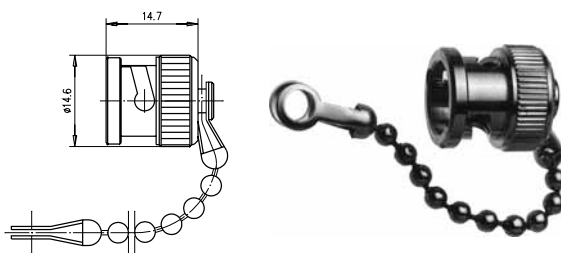
Order no.	Z	Remarks
Bestell-Nr.	Z	Anmerkungen
J01004A0009	50	f-m-f Bu-Sti-Bu
J01005A0005	75	f-m-f Bu-Sti-Bu

1.22

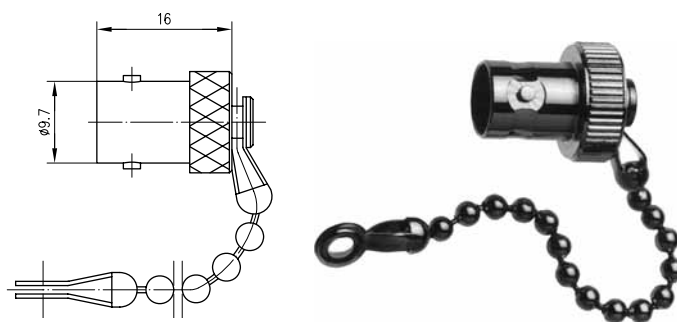
BNC T Adaptor
BNC-T-Stück

Order no.	Z	Remarks
Bestell-Nr.	Z	Anmerkungen
J01004A0011	50	f-m-f Bu-Sti-Bu

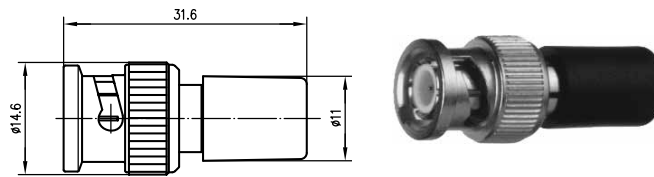
1.23

BNC Dust Cap
BNC-Abdeckkappe

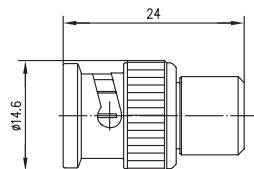
Order no.	Remarks	MIL-Std.
Bestell-Nr.	Anmerkungen	MIL-Std.
H00000A1239	m Sti	CW-123/U



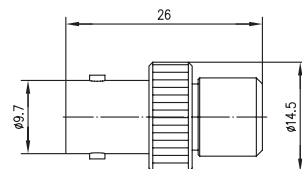
Order no.	Remarks	MIL-Std.
Bestell-Nr.	Anmerkungen	MIL-Std.
H00000A1943	f Bu	CW-282/U



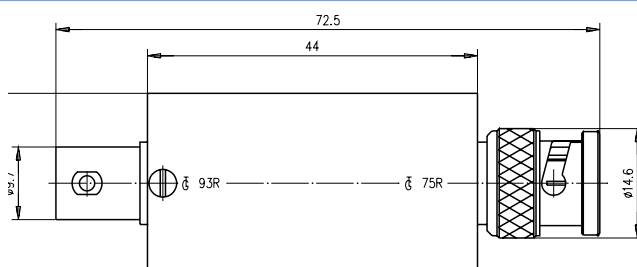
Order no. Bestell-Nr.	Z Z	Technical Information Technische Daten	Remarks Anmerkungen
J01006A1268	50	0.5 W; 100 MHz; ≥ 20 dB	m; 1% Sti; 1%
J01006A0001	75	0.5 W; 100 MHz; ≥ 20 dB	m; 0.1% Video RGB; green indicator Sti; 0.1% Video RGB; Kennzeichnung grün
J01006A1269	75	0.5 W; 100 MHz; ≥ 20 dB	m; 1% Sti; 1%
J01006A1373	93	0.5 W; 100 MHz; ≥ 20 dB	m; 1% Sti; 1%



Order no. Bestell-Nr.	Z Z	Technical Information Technische Daten	Remarks Anmerkungen
J01006A0020	50	1 W; 2.5 GHz; ≥ 20 dB	m Sti



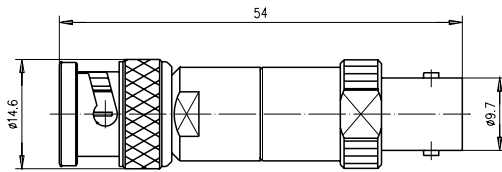
Order no. Bestell-Nr.	Z Z	Technical Information Technische Daten	Remarks Anmerkungen
J01006A0021	50	1 W; 2.5 GHz; ≥ 20 dB	f Bu



Order no. Bestell-Nr.	Remarks Anmerkungen
J01008A0807	f-m empty box Bu-Sti Leergehäuse

BNC Attenuator/Through Termination

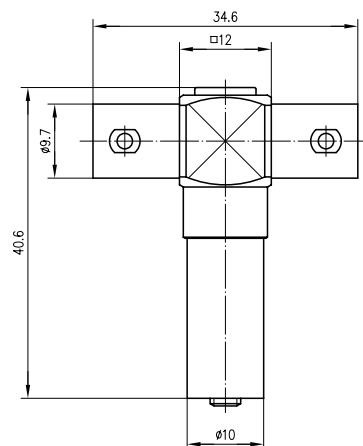
BNC-Dämpfungsglied/Durchgangsabschluss



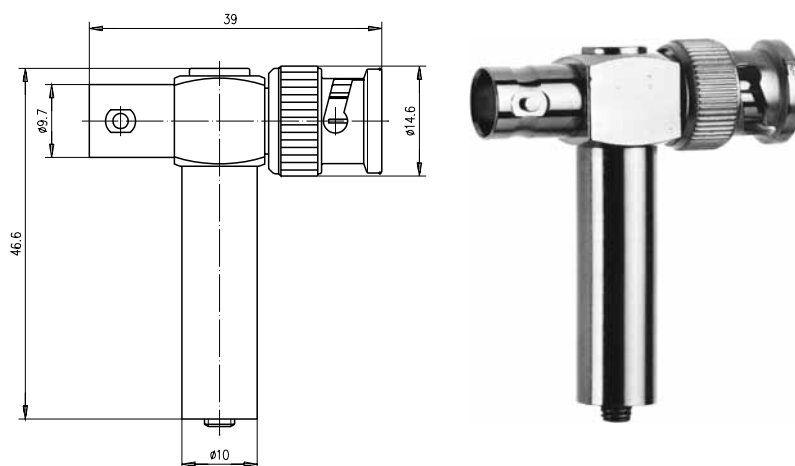
Order no.	Z	Remarks
Bestell-Nr.	Z	Anmerkungen
J01006A0834	50	BNC Attenuator; m-f; 3 dB; 1 GHz BNC-Dämpfungsglied; Sti-Bu; 3 dB; 1 GHz
J01006A0835	50	BNC Attenuator; m-f; 6 dB; 1 GHz BNC-Dämpfungsglied; Sti-Bu; 6 dB; 1 GHz
J01006A0836	50	BNC Attenuator; m-f; 10 dB; 1 GHz BNC-Dämpfungsglied; Sti-Bu; 10 dB; 1 GHz
J01006A0837	50	BNC Attenuator; m-f; 20 dB; 1 GHz BNC-Dämpfungsglied; Sti-Bu; 20 dB; 1 GHz
J01006A0013	50	BNC-Through Termination; m-f; 0.5 W; 1 GHz BNC-Durchgangsabschluss; Sti-Bu; 0.5 W; 1 GHz
J01006A0014	75	BNC-Through Termination; m-f; 0.5 W; 1 GHz BNC-Durchgangsabschluss; Sti-Bu; 0.5 W; 1 GHz

BNC Notch Filter

BNC-Kerbfiter



Order no.	Remarks
Bestell-Nr.	Anmerkungen
J01006A0018	f-f; 2180 MHz Bu-Bu; 2180 MHz



Order no.	Remarks
Bestell-Nr.	Anmerkungen
J01006A0017	m-f; 1575 MHz Sti-Bu; 1575 MHz

