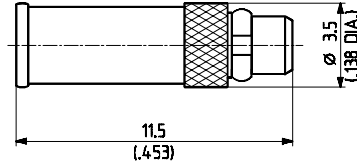


Cable Connectors

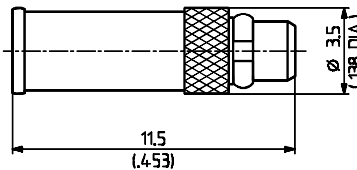
Straight Cable Plugs (male)

- > for semi-rigid cables
- > cable entry soldered
- > centre contact crimped



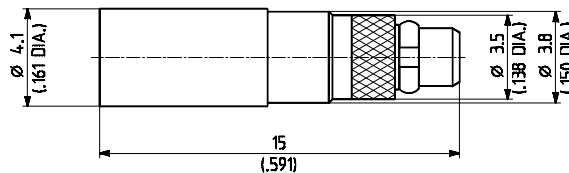
SUHNER TYPE	Order No.	Cable Group (example)	Packaging	Assembly Instruction	Crimp Insert
11 MMCX-50-1-3 / 111 OE	22648893	Y2 (EZ 47)	single	9078	1
11 MMCX-50-2-1 / 111 OE	22645297	Y3, Y11 (EZ 86)	single	9170	1
11 MMCX-50-2-1 / 111 OH	22649039	Y3, Y11 (EZ 86)	bulk 100 pcs.	9170	1

- > for flexible cables
- > SUHNER® full crimp



SUHNER TYPE	Order No.	Cable Group (example)	Packaging	Assembly Instruction	Crimp Insert
11 MMCX-50-1-1 / 111 OE	22645298	U1 (EF 178)	single	9169	1 / 2.67
11 MMCX-50-1-1 / 111 OH	22651666	U1 (EF 178)	single	9169	1 / 2.67
11 MMCX-50-1-2 / 111 OE	22645296	U0 (K 01152-07)	single	9169	1 / 2.67

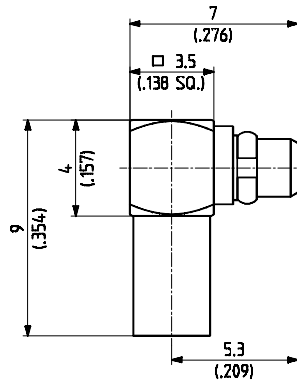
- > for flexible cables
- > SUHNER® full crimp



SUHNER TYPE	Order No.	Cable Group (example)	Packaging	Assembly Instruction	Crimp Insert
11 MMCX-50-2-3 / 111 OE	22649899	U2 (EF 316)	single	9110	1 A
11 MMCX-50-2-3 / 111 OH	23000258	U2 (EF 316)	bulk 100 pcs.	9110	1 A
11 MMCX-50-2-4 / 111 OE	22649901	U4 (EF 316 D)	single	9110	1 A

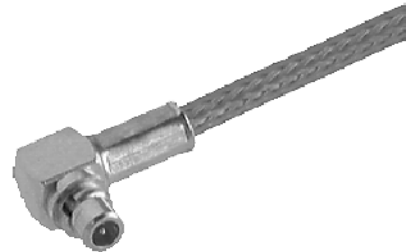
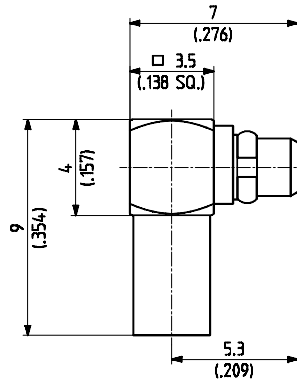
Right Angle Cable Plugs (male)

- > for semi-rigid cables
- > cable entry soldered
- > centre contact soldered



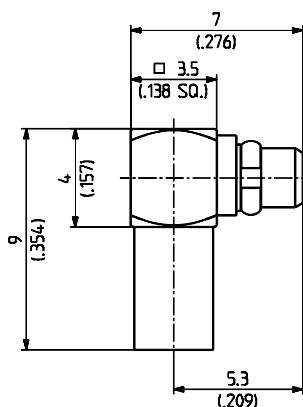
SUHNER TYPE	Order No.	Cable Group (example)	Packaging	Assembly Instruction	Notes
16 MMCX-50-1-4 / 111 OE	22649182	Y2 (EZ 47)	single	9077	
16 MMCX-50-2-1 / 111 OE	22645957	Y3, Y11 (EZ 86)	single	9176	
16 MMCX-50-2-1 / 111 OH	22649044	Y3, Y11 (EZ 86)	bulk 100 pcs.	9176	

- > for flexible cables
- > cable entry crimp
- > centre contact soldered



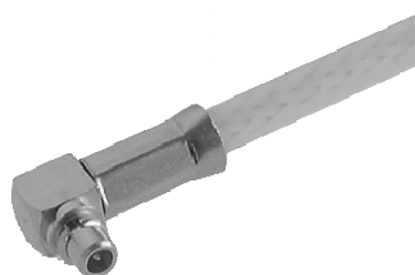
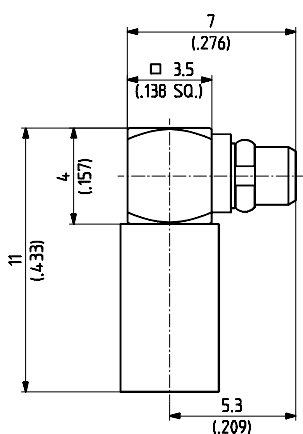
SUHNER TYPE	Order No.	Cable Group (example)	Packaging	Assembly Instruction	Crimp Insert
16 MMCX-50-1-1 / 111 OE	22645955	U1 (EF 178)	single	9175	2.67
16 MMCX-50-1-1 / 111 OH	22648762	U1 (EF 178)	bulk 100 pcs.	9175	2.67

- > for flexible cables
- > cable entry crimp
- > centre contact soldered



SUHNER TYPE	Order No.	Cable Group (example)	Packaging	Assembly Instruction	Crimp Insert
16 MMCX-50-1-2 / 111 OE	22645956	U0 (K 01152-07)	single	9175	2.67
16 MMCX-50-1-2 / 111 OH	22649009	U0 (K 01152-07)	bulk 100 pcs.	9175	2.67

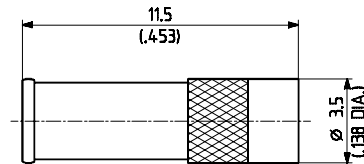
- > for flexible cables
- > cable entry crimp
- > centre contact soldered



SUHNER TYPE	Order No.	Cable Group (example)	Packaging	Assembly Instruction	Crimp Insert
16 MMCX-50-1-7 / 111 OE	22649900	Cable: K 01252 D	single	9128	A
16 MMCX-50-2-2 / 111 OE	22649374	U4 (EF 316 D)	single	9128	A
16 MMCX-50-2-2 / 111 OH	22651401	U4 (EF 316 D)	bulk 100 pcs.	9128	A
16 MMCX-50-2-4 / 111 OE	22649433	U2 (EF 316)	single	9128	A
16 MMCX-50-2-4 / 111 OH	22649635	U2 (EF 316)	bulk 100 pcs.	9128	A

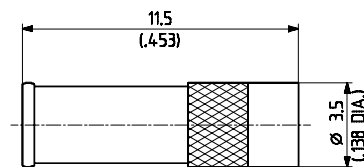
Straight Cable Jacks (female)

- > for semi-rigid cables
- > cable entry soldered
- > centre contact crimped



SUHNER TYPE	Order No.	Cable Group (example)	Packaging	Assembly Instruction	Crimp Insert
21 MMCX-50-2-1 / 111 OE	22645290	Y3, Y11 (EZ 86)	single	9170	1

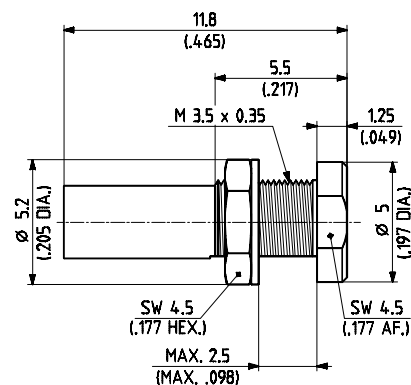
- > for flexible cables
- > SUHNER® full crimp



SUHNER TYPE	Order No.	Cable Group (example)	Packaging	Assembly Instruction	Crimp Insert
21 MMCX-50-1-1 / 111 OE	22645288	U1 (EF 178)	single	9169	1 / 2.67
21 MMCX-50-1-2 / 111 OE	22645289	U0 (K 01152-07)	single	9169	1 / 2.67

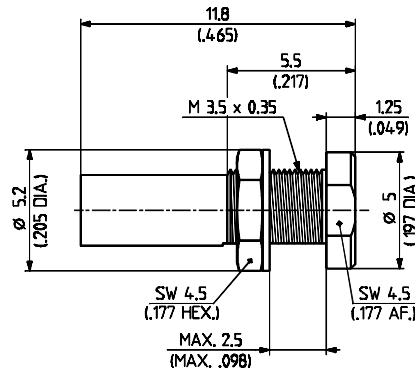
Straight Bulkhead Cable Jacks (female)

- > for semi-rigid cables
- > cable entry soldered
- > centre contact crimped
- > front mounting



SUHNER TYPE	Order No.	Cable Group (example)	Packaging	Assembly Instruction/ Mounting Hole	Crimp Insert
24 MMCX-50-2-1 / 111 OE	22645954	Y3, Y11 (EZ 86)	single	9170 / ML 68	1

- > for flexible cables
- > SUHNER® full crimp
- > front mounting

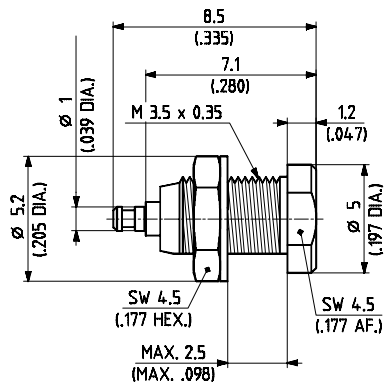


SUHNER TYPE	Order No.	Cable Group (example)	Packaging	Assembly Instruction/ Mounting Hole	Crimp Insert
24 MMCX-50-1-1 / 111 OE	22645952	U1 (EF 178)	single	9169 / ML 68	1 / 2.67
24 MMCX-50-1-1 / 111 OH	23000416	U1 (EF 178)	bulk 100 pcs.	9169 / ML 68	1 / 2.67

Receptacles with Solder End

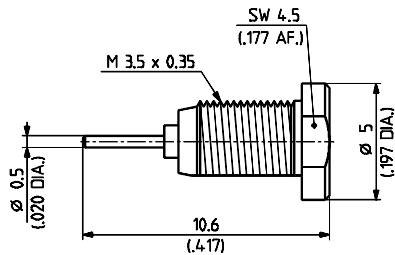
Receptacles, Jack (female)

> bulkhead mounted



SUHNER TYPE	Order No.	Packaging	Mounting Hole	Notes
22 MMCX-50-0-1 / 111 OE	22645951	single	ML 68	
22 MMCX-50-0-1 / 111 OH	22660126	bulk 100 pcs.	ML 68	

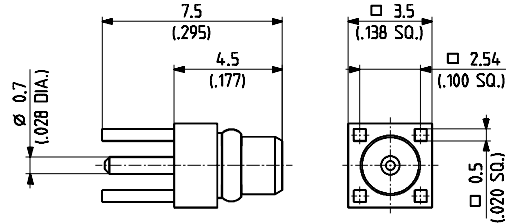
> bulkhead mounted



SUHNER TYPE	Order No.	Packaging	Mounting Hole	Notes
22 MMCX-50-0-4 / 111 OH	22660282	bulk 100 pcs.	ML 68	

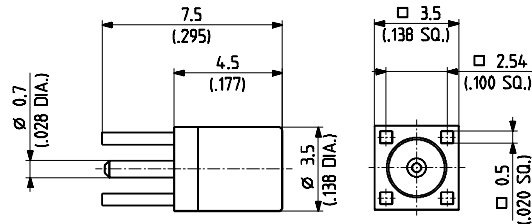
PCB Connectors

Straight PCB Plugs (male)



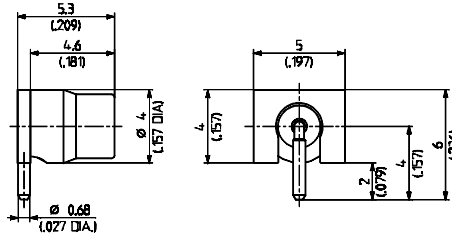
SUHNER TYPE	Order No.	Packaging	Mounting Hole	Notes
81 MMCX-50-0-1 / 111 OE	22646298	single	ML 44	without stand-off

Straight PCB Jacks (female)



SUHNER TYPE	Order No.	Packaging	Mounting Hole	Notes
82 MMCX-50-0-1 / 111 NE	22645958	single	ML 44	without stand-off
82 MMCX-50-0-1 / 111 NH	22648469	bulk 100 pcs.	ML 44	without stand-off

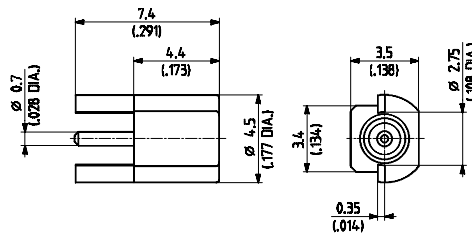
Straight PCB Jacks (female)



SUHNER TYPE	Order No.	Packaging	Mounting Hole	Notes
82 MMCX-50-0-8 / 111 OE	22652153	single	ML 130	surface mount technology
82 MMCX-50-0-8 / 111 OM	22660270	Tape and Reel	ML 130	surface mount technology

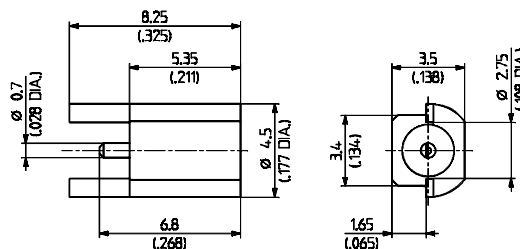
Jacks for horizontal applications

> edge mount



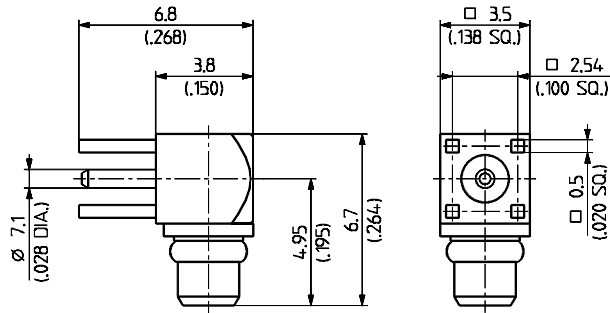
SUHNER TYPE	Order No.	Packaging	PCB Layout	Notes
82 MMCX-S50-0-2 / 111 KE	22648789	single	for application notes CLICK HERE	
82 MMCX-S50-0-2 / 111 KH	22649680	bulk 100 pcs.	for application notes CLICK HERE	
82 MMCX-S50-0-2 / 111 KG	22649679	Tape and Reel	for application notes CLICK HERE	blister tape containing 750 pcs.
82 MMCX-S50-0-2 / 111 KL	22650668	Tape and Reel	for application notes CLICK HERE	blister tape containing 1500 pcs.

> edge mount



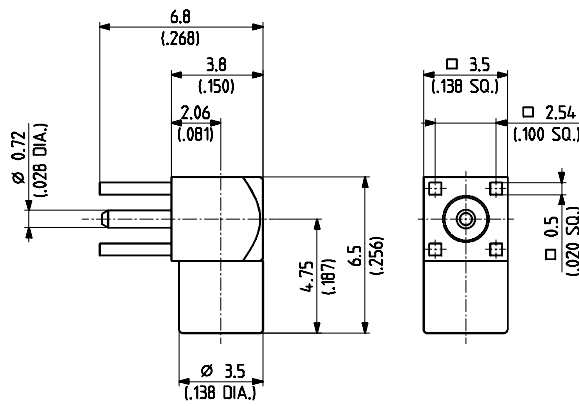
SUHNER TYPE	Order No.	Packaging	PCB Layout	Notes
82 MMCX-S50-0-13 / 111 OG	22660141	Tape and Reel	for application notes CLICK HERE	blister tape containing 750 pcs.

Right Angle PCB Plugs (male)



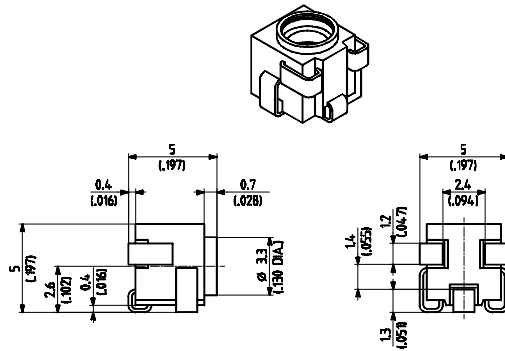
SUHNER TYPE	Order No.	Packaging	Mounting Hole	Notes
84 MMCX-50-0-1 / 111 OH	22658819	bulk 100 pcs.	ML 44	without stand-off

Right Angle PCB Jacks (female)



SUHNER TYPE	Order No.	Packaging	Mounting Hole	Notes
85 MMCX-50-0-1 / 111 OE	22645968	single	ML 44	without stand-off
85 MMCX-50-0-1 / 111 OH	22646636	bulk 100 pcs.	ML 44	without stand-off

MMCX "Cube"-CONNECTORS



Jack for straight (vertical) applications



SUHNER TYPE	Order No.	PCB Layout	Packaging	Notes
82 MMCX-S50-0-51 / 119 OG	22650299	for application notes CLICK HERE	Tape and Reel	blister tape containing 750 pcs.
82 MMCX-S50-0-51 / 119 OL	22650504	for application notes CLICK HERE	Tape and Reel	blister tape containing 1500 pcs.

Jack for right angle (horizontal) applications



SUHNER TYPE	Order No.	PCB Layout	Packaging	Notes
85 MMCX-S50-0-51 / 119 OG	22650298	for application notes CLICK HERE	Tape and Reel	blister tape containing 750 pcs.
85 MMCX-S50-0-51 / 119 OL	22650503	for application notes CLICK HERE	Tape and Reel	blister tape containing 1500 pcs.

Combination jack

for straight (vertical) or right angle (horizontal) applications



SUHNER TYPE	Order No.	PCB Layout	Packaging	Notes
90 MMCX-S50-0-51 / 119 OH	22650505	for application notes CLICK HERE	bulk 100 pcs.	