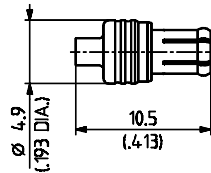


Cable Connectors

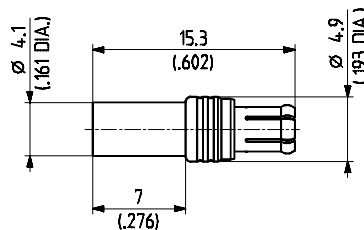
Straight Cable Plugs (male)

- > for semi-rigid cables, SUCOFORM and MULTIFLEX cables
- > cable entry soldered
- > centre contact soldered



SUHNER TYPE	Order No.	Cable Group (example)	Packaging	Plating Body	Assembly Instruction
11 MCX-50-1-14 / 111 NE	23032081	Y2 (EZ 47)	single	SUCOPRO	27413
11 MCX-50-2-19 / 111 NH	23032147	Y3, Y11 (EZ 86)	bulk 100 pcs.	SUCOPRO	27496

- > for flexible cables
- > SUHNER® full crimp
- > for taper sleeves [CLICK HERE](#)



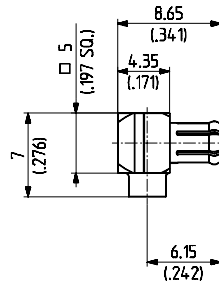
SUHNER TYPE	Order No.	Cable Group (example)	Packaging	Plating Body	Assembly Instruction	Crimp Insert
11 MCX-50-1-13 / 133 NH	22658307	U1 (EF 178)	bulk 100 pcs.	SUCOPLATE®	27316	1 A
11 MCX-50-1-13 / 111 NH	23002830	U1 (EF 178)	bulk 100 pcs.	gold	27316	1 A
11 MCX-50-2-15 / 111 NH	23000440	U4 (EF 316 D)	bulk 100 pcs.	gold	27306	1 A
11 MCX-50-2-15 / 133 NH	23000566	U4 (EF 316 D)	bulk 100 pcs.	SUCOPLATE®	27306	1 A
11 MCX-50-2-16 / 111 NH	22658275	U2 (EF 316)	bulk 100 pcs.	gold	27306	1 A
11 MCX-50-2-16 / 133 NH	23000437	U2 (EF 316)	bulk 100 pcs.	SUCOPLATE®	27306	1 A

Right Angle Cable Plugs (male)

> for semi-rigid cables, SUCOFORM and MULTIFLEX cables

> cable entry soldered

> centre contact soldered



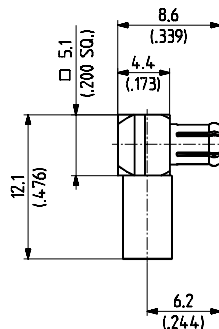
SUHNER TYPE	Order No.	Cable Group (example)	Packaging	Plating Body	Assembly Instruction
16 MCX-50-1-11 / 111 NH	23032063	Y2 (EZ 47)	bulk 100 pcs.	SUCOPRO	27495
16 MCX-50-2-104 / 111 NH	22658277	Y3, Y11 (EZ 86)	bulk 100 pcs.	gold	27308
16 MCX-50-2-104 / 111 NH	23032067	Y3, Y11 (EZ 86)	bulk 100 pcs.	SUCOPRO	27308

> for flexible cables

> cable entry crimp

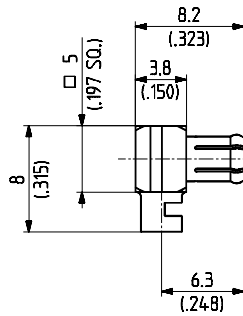
> centre contact soldered

> for taper sleeves [CLICK HERE](#)



SUHNER TYPE	Order No.	Cable Group (example)	Packaging	Plating Body	Assembly Instruction	Crimp Insert
16 MCX-50-1-7 / 111 NH	23000443	U1 (EF 178)	bulk 100 pcs.	gold	27319	A
16 MCX-50-1-7 / 133 NH	22658308	U1 (EF 178)	bulk 100 pcs.	SUCOPLATE®	27319	A
16 MCX-50-2-11 / 111 NH	23000457	U4 (EF 316 D)	bulk 100 pcs.	gold	27102	A
16 MCX-50-2-11 / 133 NH	22650803	U4 (EF 316 D)	bulk 100 pcs.	SUCOPLATE®	27102	A
16 MCX-50-2-14 / 111 NH	23000445	U2 (EF 316)	bulk 100 pcs.	gold	27102	A
16 MCX-50-2-14 / 133 NH	22660001	U2 (EF 316)	bulk 100 pcs.	SUCOPLATE®	27102	A

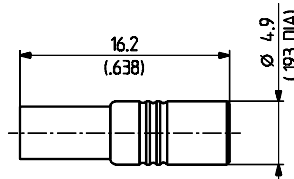
- > for flexible cables
- > low profile
- > cable entry soldered
- > centre contact soldered



SUHNER TYPE	Order No.	Cable Group (example)	Packaging	Plating Body	Assembly Instruction
16 MCX-50-2-102 / 111 NH	23000448	U2 (EF 316)	bulk 100 pcs.	gold	27307
16 MCX-50-2-102 / 111 NH	23000454	U2 (EF 316)	bulk 100 pcs.	SUCOPRO	27307
16 MCX-50-2-102 / 133 NH	22658276	U2 (EF 316)	bulk 100 pcs.	SUCOPLATE®	27307

Straight Cable Jacks (female)

- > for flexible cables
- > SUHNER® full crimp
- > for taper sleeves [CLICK HERE](#)



SUHNER TYPE	Order No.	Cable Group (example)	Packaging	Plating Body	Assembly Instruction	Crimp Insert
21 MCX-50-1-11 / 111 NH	23005297	U1 (EF 178)	bulk 100 pcs.	gold	27317	1 A
21 MCX-50-2-12 / 111 NE	23032052	U4 (EF 316 D)	single	SUCOPRO	27309	1 A
21 MCX-50-2-12 / 133 NH	22658278	U4 (EF 316 D)	bulk 100 pcs.	SUCOPLATE®	27309	1 A
21 MCX-50-2-13 / 111 NH	23005298	U2 (EF 316)	bulk 100 pcs.	gold	27309	1 A
21 MCX-50-2-13 / 133 NH	22658279	U2 (EF 316)	bulk 100 pcs.	SUCOPLATE®	27309	1 A

Straight Bulkhead Cable Jacks (female)

- > for semi-rigid cables, SUCOFORM and MULTIFLEX cables
- > cable entry soldered
- > centre contact soldered

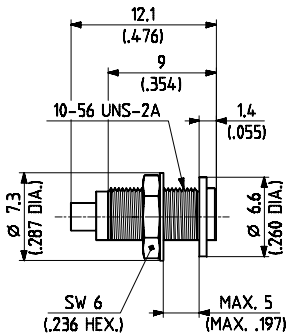


Fig. 1

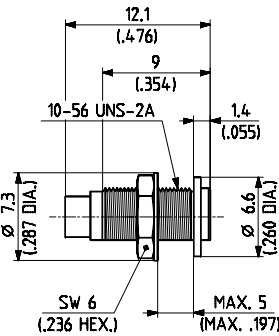
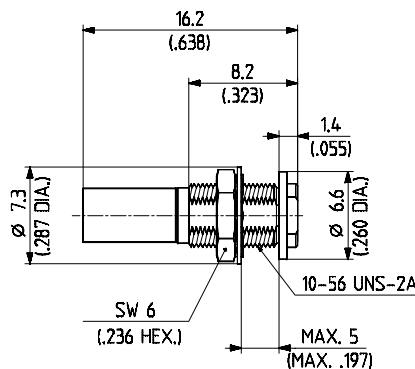


Fig. 2

SUHNER TYPE	Order No.	Cable Group (example)	Packaging	Plating Body	Assembly Instruction/ Mounting Hole	Fig.
24 MCX-50-1-3 / 111 NE	22641648	Y2 (EZ 47)	single	gold	3100 / ML 11	1
24 MCX-50-2-3 / 111 NE	22543580	Y3, Y11 (EZ 86)	single	gold	3100 / ML 11	2

- > for flexible cables
- > SUHNER® full crimp
- > for taper sleeves [CLICK HERE](#)



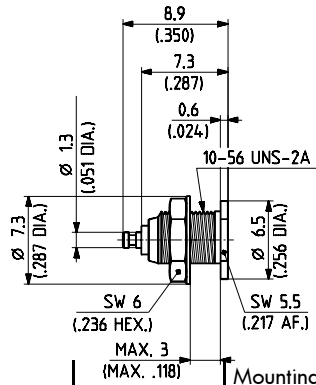
SUHNER TYPE	Order No.	Cable Group (example)	Packaging	Plating Body	Assembly Instruction/ Mounting Hole	Crimp Insert
24 MCX-50-1-13 / 111 NH	23005299	U1 (EF 178)	bulk 100 pcs.	gold	27317 / ML 11	1 A
24 MCX-50-1-13 / 133 NH	22658310	U1 (EF 178)	bulk 100 pcs.	SUCOPLATE®	27317 / ML 11	1 A
24 MCX-50-2-6 / 111 NH	23005300	U4 (EF 316 D)	bulk 100 pcs.	gold	27309 / ML 11	1 A
24 MCX-50-2-7 / 111 NH	23000468	U2 (EF 316)	bulk 100 pcs.	gold	27309 / ML 11	1 A

⊠ centre contact NOT captivated

Receptacles with Solder End

Receptacles, Jack (female)

- > bulkhead mounted
- > front mounting
- > solder end
- > small flange - not protruding

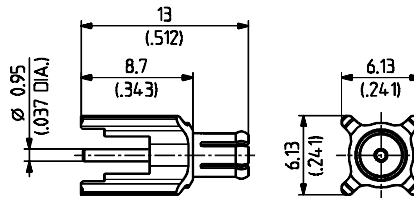


SUHNER TYPE	Order No.	Packaging	Plating Body	Mounting Hole	Notes
22 MCX-50-0-2 / 111 NH	22646960	bulk 100 pcs.	gold	ML 11	

PCB Connectors

Straight PCB Plugs (male)

- > with stand-off
- > 2.54 mm / .100 in. grid



SUHNER TYPE	Order No.	Packaging	Plating Body	Mounting Hole	Notes
81 MCX-50-0-6 / 111 NH	23005296	bulk 100 pcs.	gold	ML 15	

Straight PCB Jacks (female)

> 2.54 mm / .100 in. grid

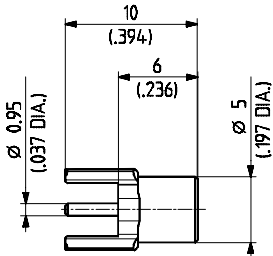


Fig. 1

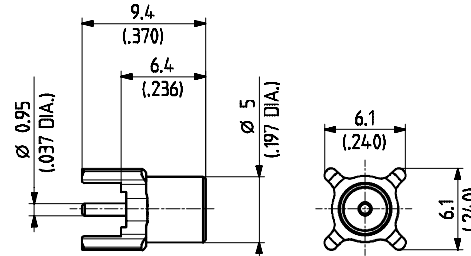
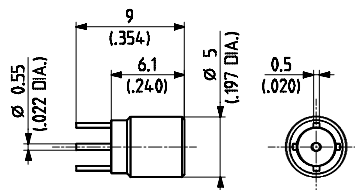


Fig. 2

SUHNER TYPE	Order No.	Packaging	Plating Body	Mounting Hole	Fig.	Notes
82 MCX-50-0-17 / 111 NH	23006209	bulk 100 pcs.	SUCOPRO	ML 15	1	without stand-off
82 MCX-50-0-19 / 111 NH	22658305	bulk 100 pcs.	SUCOPRO	ML 15	2	with stand-off
82 MCX-50-0-19 / 111 NM	23000573	Tape and Reel	gold	ML 15	2	with stand-off

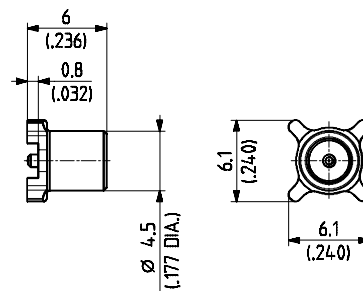
> 1.27 mm / .05 in. grid

> space saving version



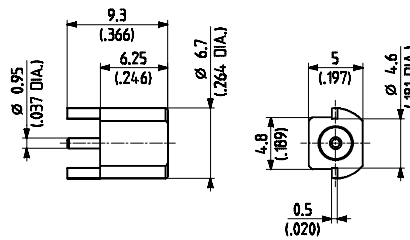
SUHNER TYPE	Order No.	Packaging	Plating Body	Mounting Hole	Notes
82 MCX-50-0-10 / 111 NH	22651980	bulk 100 pcs.	gold	ML 44	without stand-off

> surface mount type SMT



SUHNER TYPE	Order No.	Packaging	Plating Body	Mounting Hole	Notes
82 MCX-550-0-29 / 111 NH	23001527	bulk 100 pcs.	gold	ML 120	
82 MCX-550-0-29 / 111 NM	22658306	Tape and Reel	SUCOPRO	ML 120	

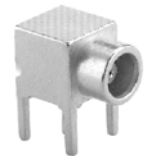
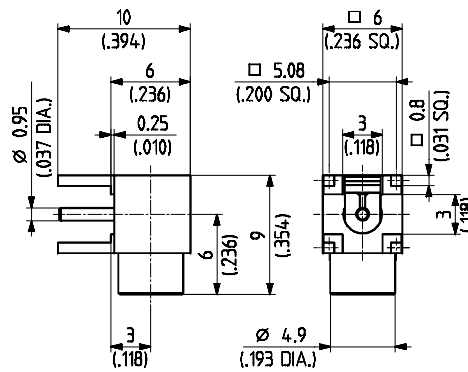
- > surface mount type SMT
- > edge mount



SUHNER TYPE	Order No.	Packaging	Plating Body	Mounting Hole	Notes
82 MCX-S50-0-22 / 111 NE	22651467	single	gold	ML 121	

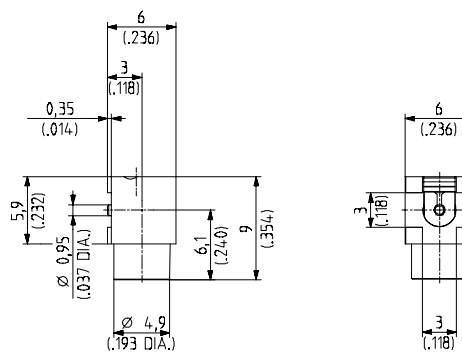
Right Angle PCB Jacks (female)

- > 2.54 mm / .100 in. grid



SUHNER TYPE	Order No.	Packaging	Plating Body	Mounting Hole	Notes
85 MCX-50-0-16 / 111 NH	23001545	bulk 100 pcs.	gold	ML 15	

- > surface mount type SMT



SUHNER TYPE	Order No.	Packaging	Plating Body	Mounting Hole	Notes
85 MCX-S50-0-25 / 111 NH	23005091	bulk 100 pcs.	gold	ML 123	